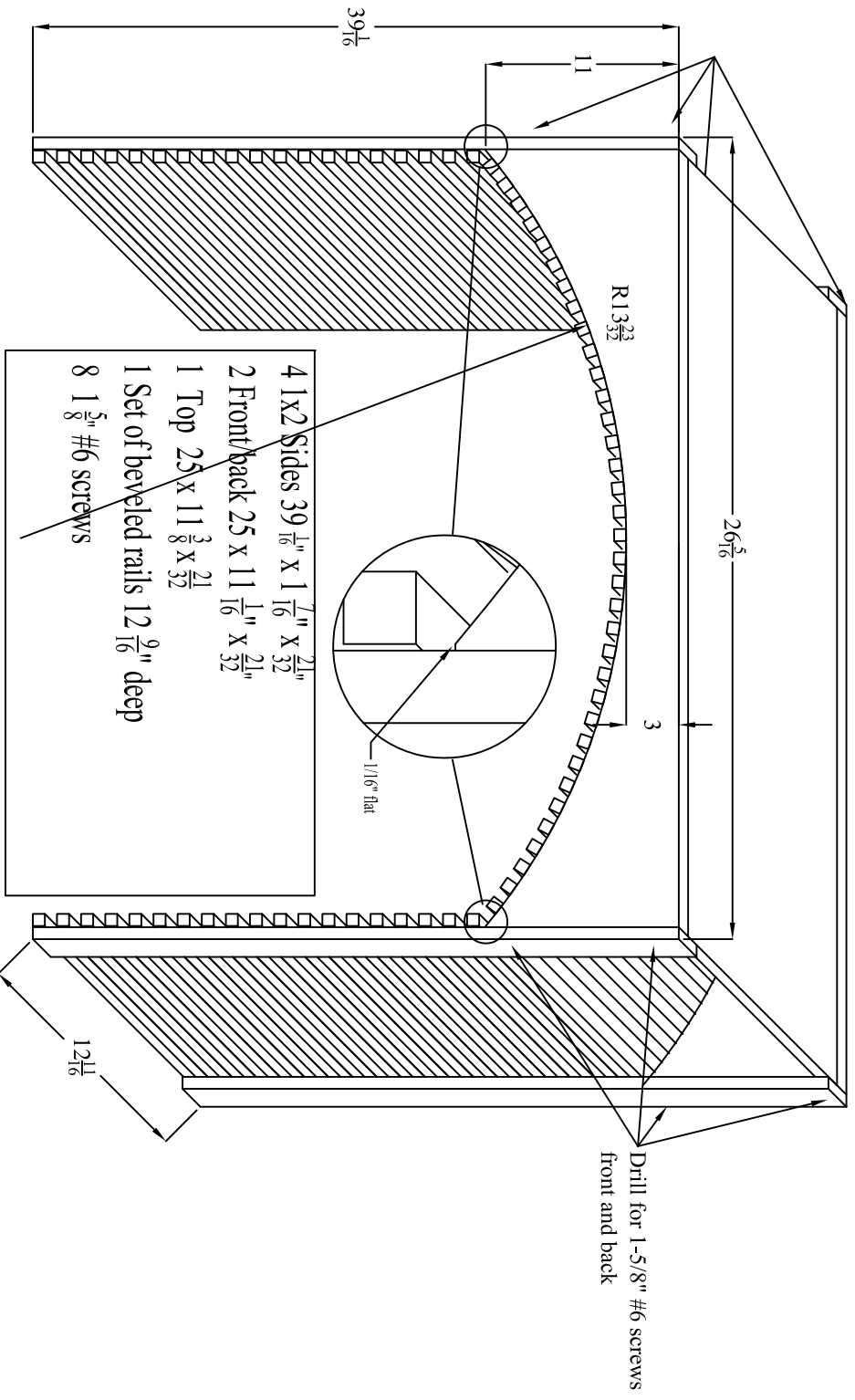


D-ARCH2

Rev: 3/20/08

Drill for 1-5/8" #6 screws
front and back



*Top to be nailed to front and back.
Archway to be in three sections; Arch
piece and two sides.