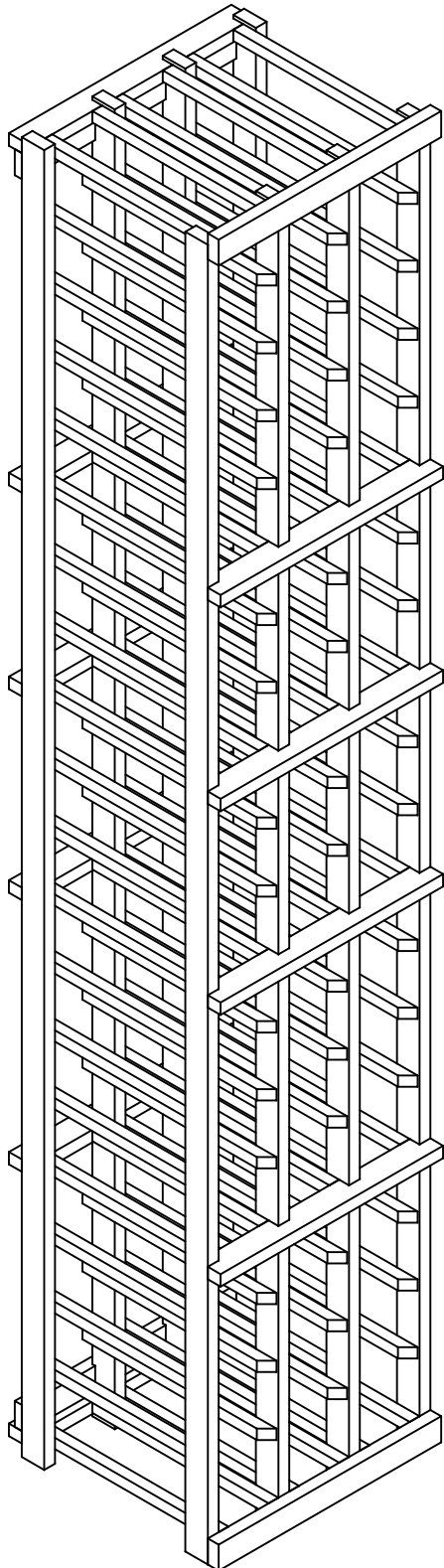


Designer Kits Series Assembly Manual

for 2,3,4 and 5 column units

**** 3 Column shown throughout manual ****



DKS Item Codes

D1*-*-2COL

D1*-*-3COL

D1*-*-4COL

D1*-*-5COL

Industry Leading Replacement Policy :

If during transit or assembly you should break or damage any of the parts you may contact us within 90 days of the ship date and we will ship you a replacement part via ground transportation at no additional cost to you.

Wine Cellar Innovations
4575 Eastern Avenue
Cincinnati, Ohio 45226

Phone: (800) 229-9813
Fax: (513) 979-5280
www.winecellarinnovations.com

PARTS LIST

D1*-**-2COLDS

#	qty	description
A	10	3-notch Spacerbars -- 9 11/16"
B	2	Back Brace -- 9 11/16"
C	2	Square Trims -- 9 11/16"
D	1	Left Rack -- 72 7/8"
E	1	Right Rack -- 72 7/8"
F	1	Double Rack -- 72 7/8"
*	1	Bag of nails

D1*-**-3COLDS

#	qty	description
A	10	4-notch Spacerbars -- 14 3/16"
B	2	Back Brace -- 14 3/16"
C	2	Square Trims -- 14 3/16"
D	1	Left Rack -- 72 7/8"
E	1	Right Rack -- 72 7/8"
F	2	Double Rack -- 72 7/8"
*	1	Bag of nails

D1*-**-4COLDS

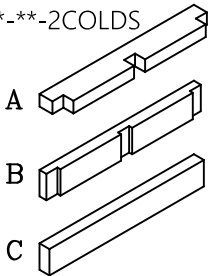
#	qty	description
A	10	5-notch Spacerbars -- 18 11/16"
B	2	Back Brace -- 18 11/16"
C	2	Square Trims -- 18 11/16"
D	1	Left Rack -- 72 7/8"
E	1	Right Rack -- 72 7/8"
F	3	Double Rack -- 72 7/8"
*	1	Bag of nails

D1*-**-5COLDS

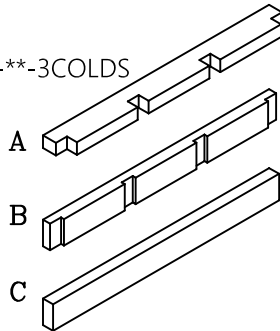
#	qty	description
A	10	6-notch Spacerbars -- 23 3/16"
B	2	Back Brace -- 23 3/16"
C	2	Square Trims -- 23 3/16"
D	1	Left Rack -- 72 7/8"
E	1	Right Rack -- 72 7/8"
F	4	Double Rack -- 72 7/8"
*	1	Bag of nails

Each Order to receive 1 Hardware Pack containing :
 2 - angle brackets
 2 - plastic anchors
 2 - 1" #8 screws
 2 - 5/8" #6 screws

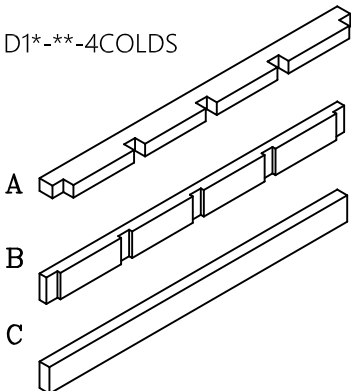
D1*-**-2COLDS



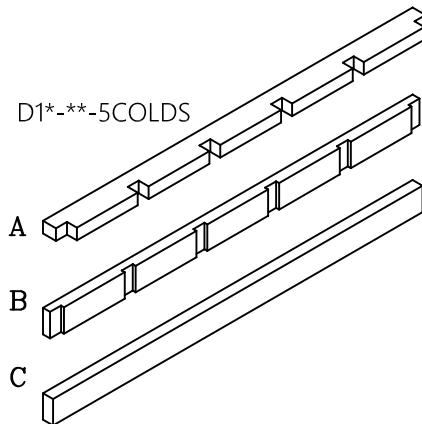
D1*-**-3COLDS



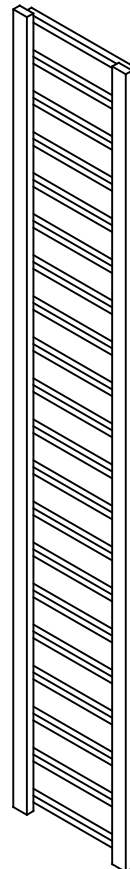
D1*-**-4COLDS



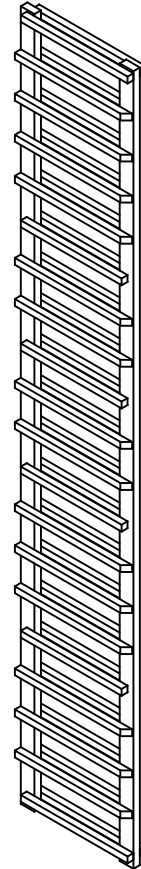
D1*-**-5COLDS



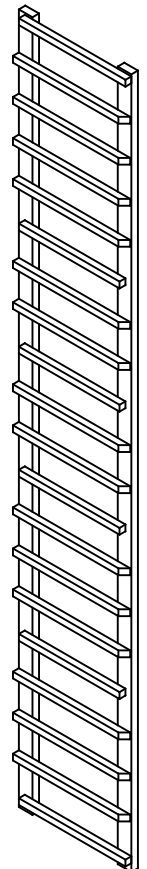
D



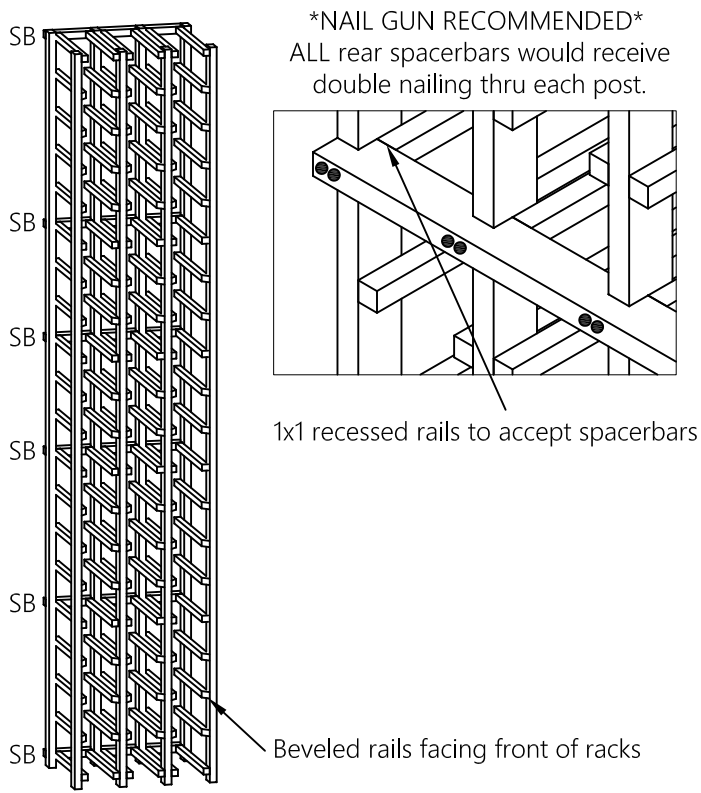
F



E

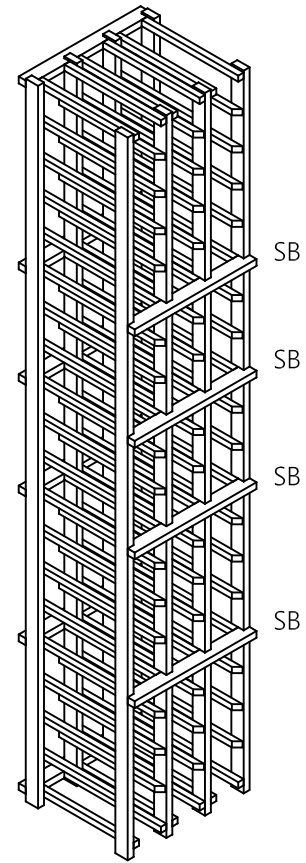


- ① Attach (6) rear spacerbar to the racks (Left, Right and Doubles). See below for suggested location.

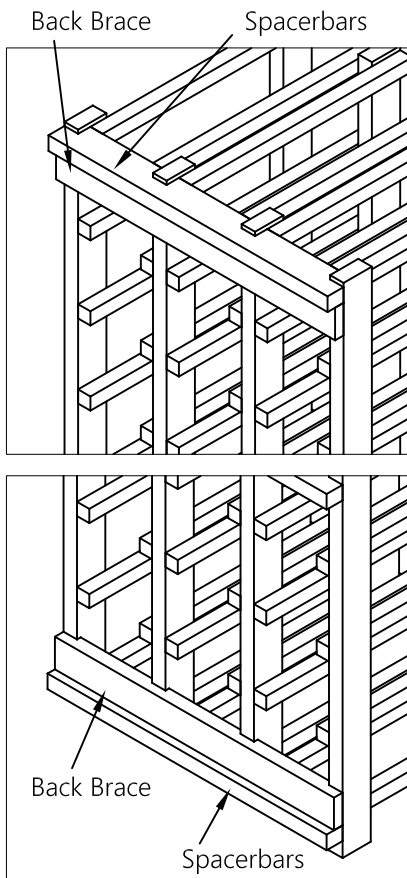


Note : Illustrations shown are for the 3 Column Display. Use All Double Racks in this step for the 2, 4, and 5 Column Display.

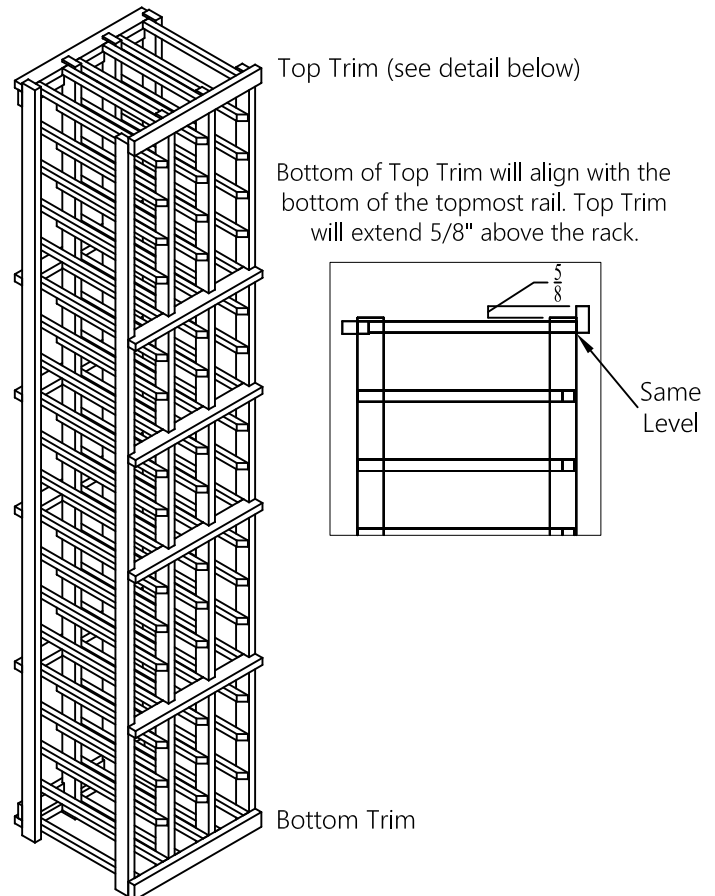
- ② Attach the remaining front spacerbar to the racks. See below for suggested location.



- ③ Attach the Back Brace. 1 below the Top spacerbars and 1 above the bottom spacerbars.

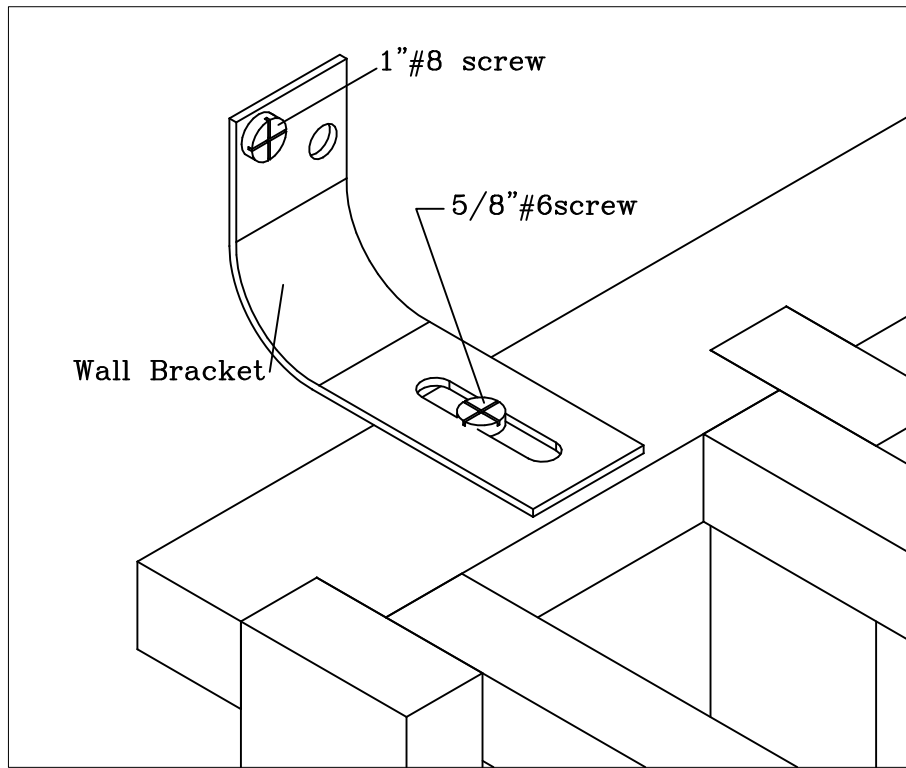


- ④ Attach the Top and Bottom Trims to the Racks.



5

Secure rack to the wall by attaching wall brackets to the top back spacerbar. You will have 1 bracket on the left and 1 on the right



Individual 3 Column Assembly Complete

Always remove bottles before moving racks.

Wine Cellar Innovations
4575 Eastern Avenue
Cincinnati, Ohio 45226

Phone: (800) 229-9813
Fax: (513) 979-5280
www.winecellarinnovations.com