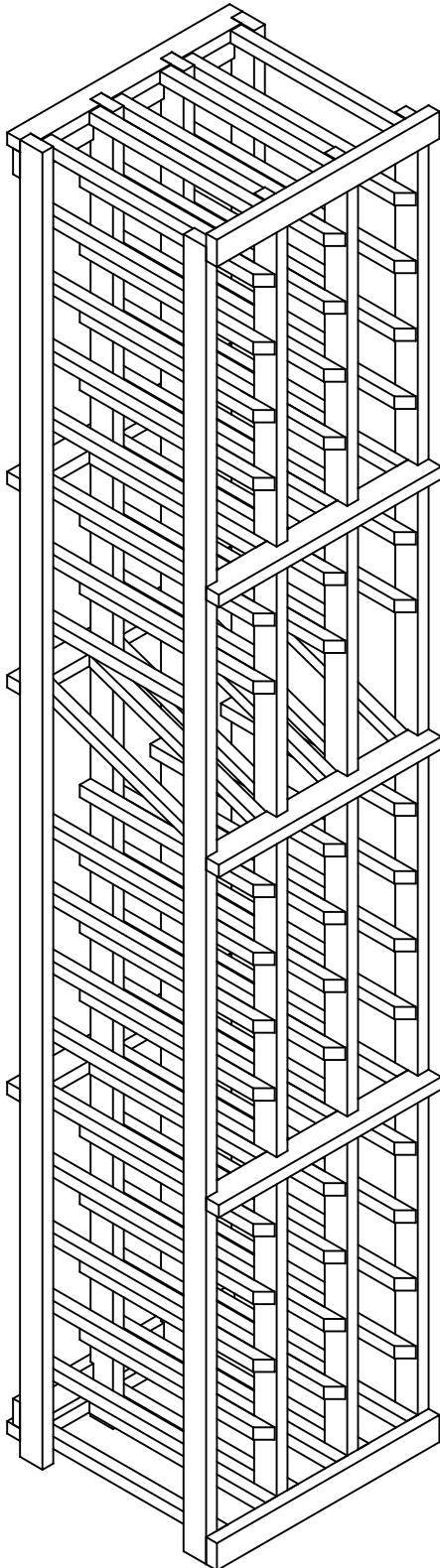


**Designer Kits Series Assembly Manual
for 2,3,4 and 5 column units with display**

**** 3 Column with Display shown throughout manual ****



DKS Item Codes

D-**-IND2DS**

D-**-IND3DS**

D-**-IND4DS**

D-**-IND5DS**

**Industry Leading
Replacement Policy :**

If during transit or assembly you should break or damage any of the parts you may contact us within 90 days of the ship date and we will ship you a replacement part via ground transportation at no additional cost to you.

Wine Cellar Innovations
4575 Eastern Avenue
Cincinnati, Ohio 45226

Phone: (800) 229-9813
Fax: (513) 979-5280
www.winecellarinnovations.com

Parts List

D** - ** - IND2DS

#	qty.	description
A	8	3 notch Spacerbars
B	2	Back Brace
C	2	Square Base/Crown
D	1	Left Rack
E	1	Double Rack
F	1	Right Rack
*	1	Hardware Pack containing
*	1	Bag of nails 2 angle brackets 2 plastic anchors 2 1" #8 screws 2 5/8" #6 screws

D** - ** - IND3DS

#	qty.	description
A	8	4 notch Spacerbars
B	2	Back Brace
C	2	Square Base/Crown
D	1	Left Rack
E	2	Double Rack
F	1	Right Rack
*	1	Hardware Pack containing
*	1	Bag of nails 2 angle brackets 2 plastic anchors 2 1" #8 screws 2 5/8" #6 screws

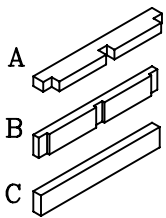
D** - ** - IND4DS

#	qty.	description
A	8	5 notch Spacerbars
B	2	Back Brace
C	2	Square Base/Crown
D	1	Left Rack
E	3	Double Rack
F	1	Right Rack
*	1	Hardware Pack containing
*	1	Bag of nails 2 angle brackets 2 plastic anchors 2 1" #8 screws 2 5/8" #6 screws

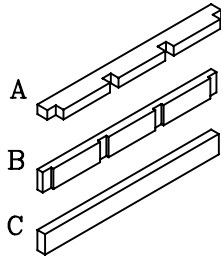
D** - ** - IND5DS

#	qty.	description
A	8	6 notch Spacerbars
B	2	Back Brace
C	2	Square Base/Crown
D	1	Left Rack
E	4	Double Rack
F	1	Right Rack
*	1	Hardware Pack containing
*	1	Bag of nails 2 angle brackets 2 plastic anchors 2 1" #8 screws 2 5/8" #6 screws

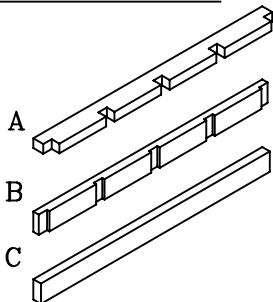
D** - ** - IND2DS



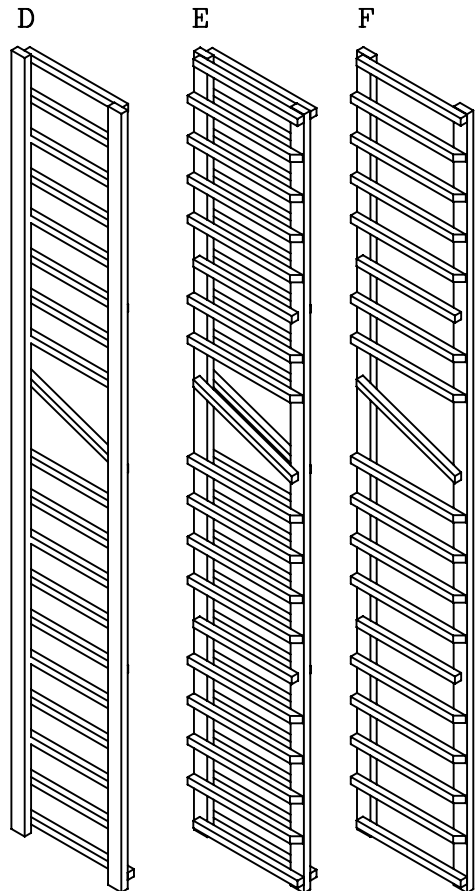
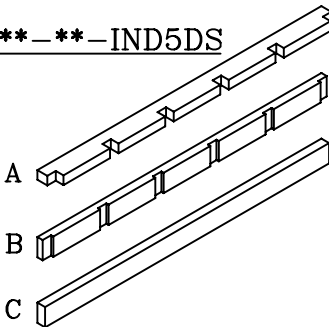
D** - ** - IND3DS



D** - ** - IND4DS



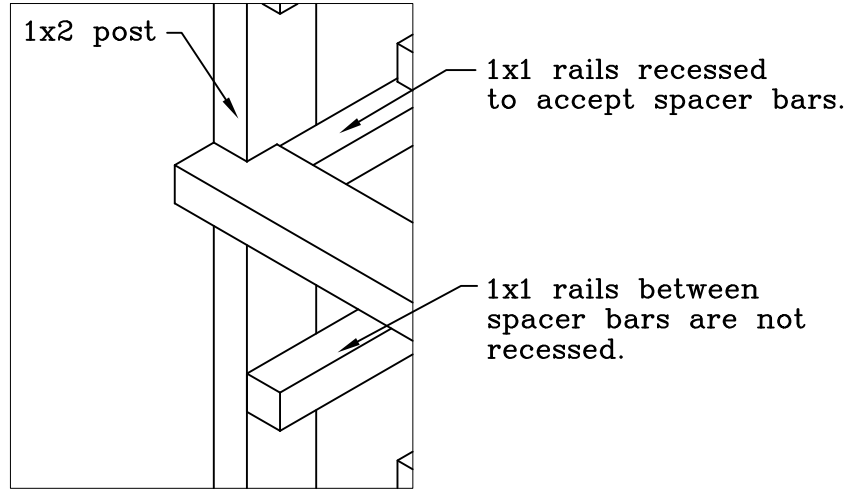
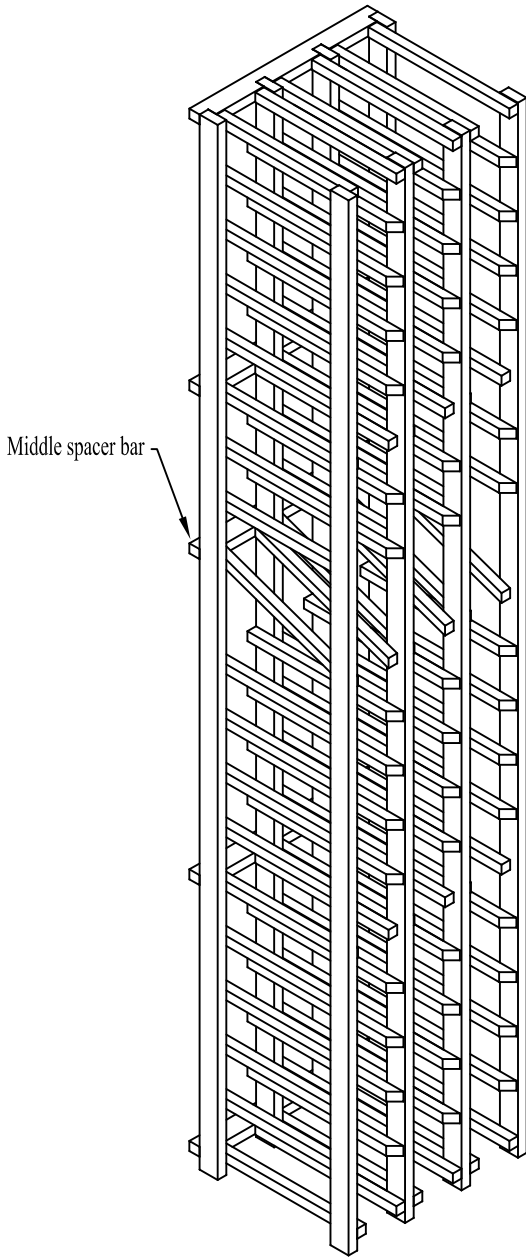
D** - ** - IND5DS



1.

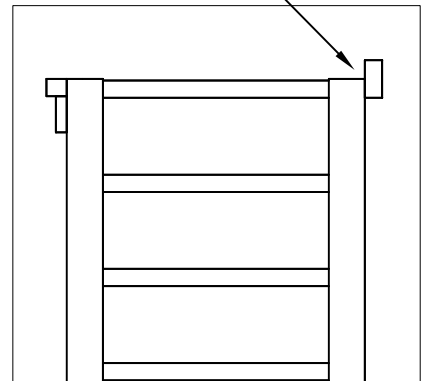
Attach (5) spacer bars to back of racks with nails

Nail through all notches into the post on one middle spacer bar, you only need to nail through end notches on remaining spacer bars. This can be done with the provided nails or with a brad nailer.

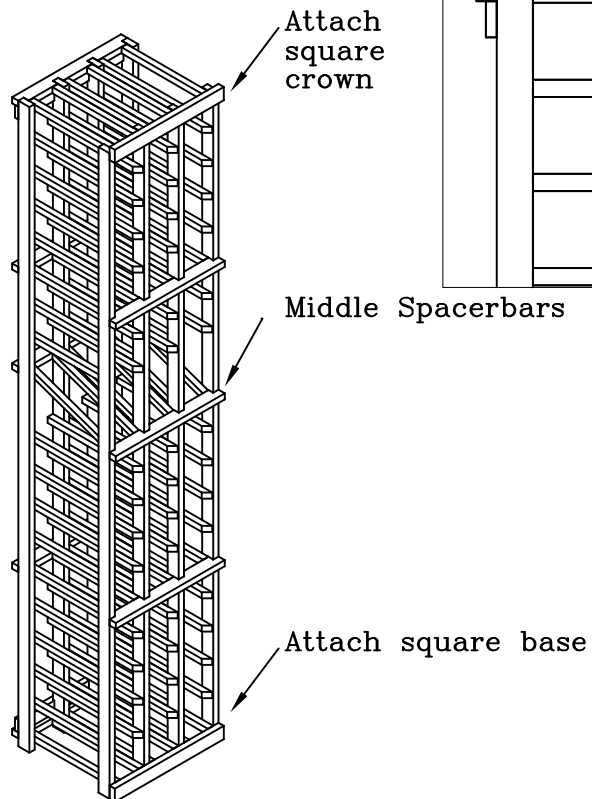
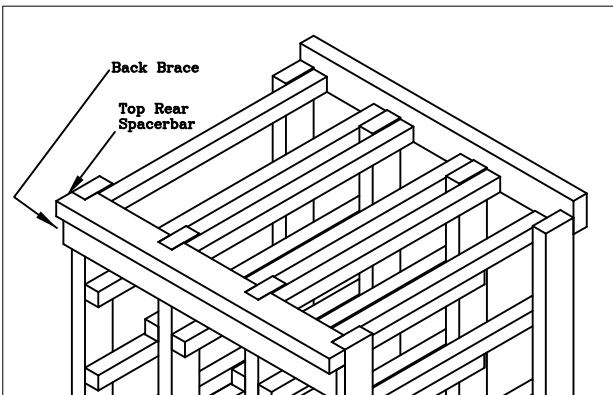


2. Attach (3) spacer bars to the front of the racks in the same manner as the back. Also Attach 1 Square Base and 1 Square Crown.

Note : Align Bottom of Crown with the Bottom of Top Rail. Crown will stick out above the rack about 13/16".

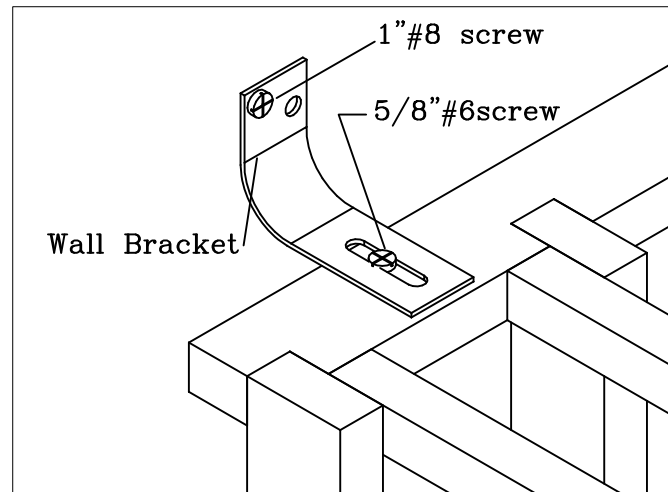


b. Attach (1) Back Brace below top rear spacerbar and another above bottom rear spacerbar. Back brace to receive nails on each notch.



Final Step

Secure to the Wall



Secure rack to wall by attaching wall brackets to top back spacer bar or solid top. You will have 1 bracket on the left and 1 on the right.

Wine Rack is Complete

always remove bottles before moving racks.