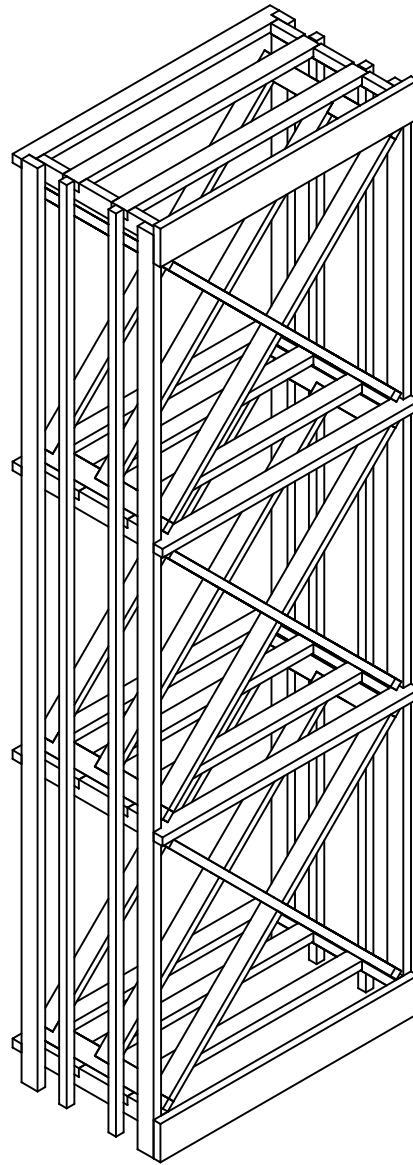


# Designer Series

Rev. 11/9/2015

## Open Diamond Cube



Thank you for your purchase from Wine Cellar Innovations. In the manufacturing and packaging of your products numerous people have reviewed your order for accuracy and attention to detail. We believe this focus is what has made us the worldwide leader in wine storage products.

When assembling the products, please refer to the instructions provided and follow them closely. Always pre-drill pieces any time a screw will be used as a fastener. The cellar has been engineered with the weight of the bottles factored into the layout, and will be capable of sustaining loads far greater than this when assembled correctly.

If you happen to break a piece during installation we will replace it for free. In such a situation, feel free to contact us Monday through Friday between 8am and 5pm Eastern time.

**Wine Cellar Innovations**  
4575 Eastern Avenue  
Cincinnati, Ohio 45226

Phone: (800) 229-9813  
Fax: (513) 979-5280  
[www.winecellarinnovations.com](http://www.winecellarinnovations.com)

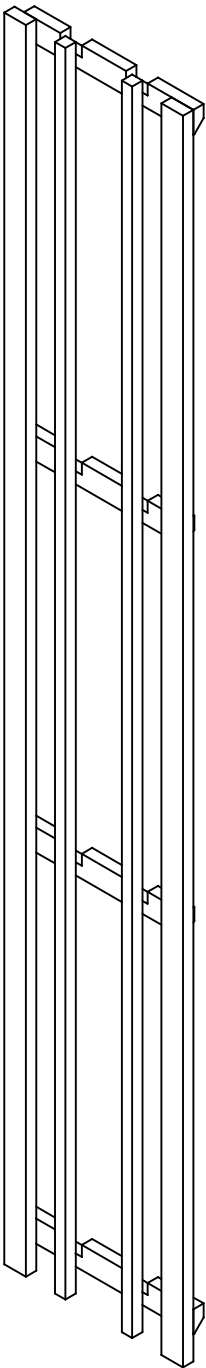
# Open Diamond Cube

## Parts List

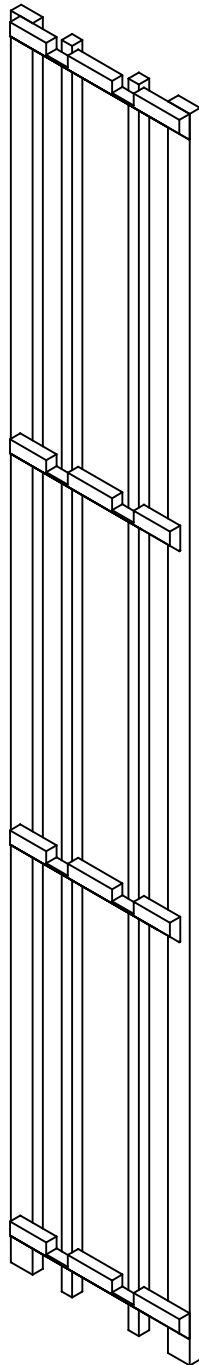
Rev. 11/9/2015

#	qty.	description
A	1	Left
A1	1	Right
B	8	Slats
C	6	spacer bars
D	3	X-interlocks
E	2	Sq. Cut Crown/Base
*	1	bag of nails
*	1	Hardware Pack containing 2 angle brackets 2 plastic anchors 2 1" #8 screws 2 5/8" #6 screws

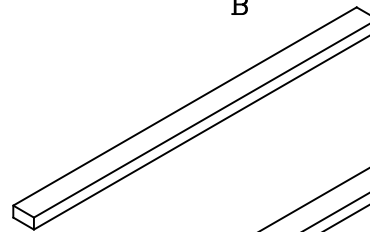
A



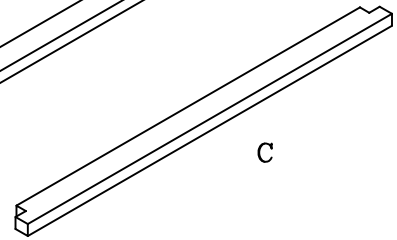
A1



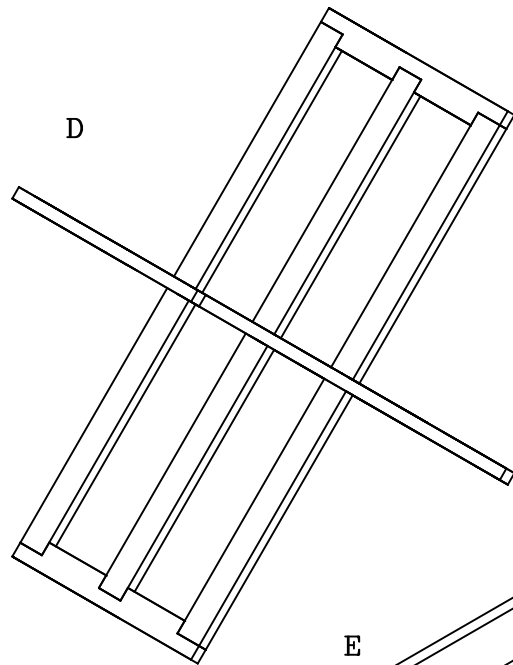
B



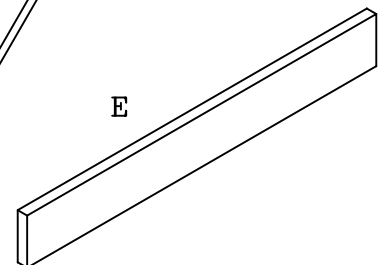
C



D



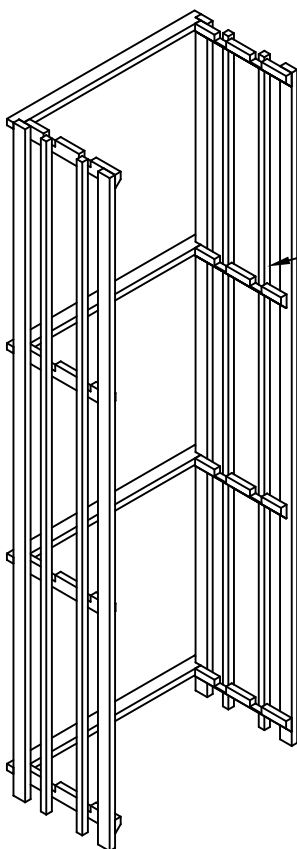
E



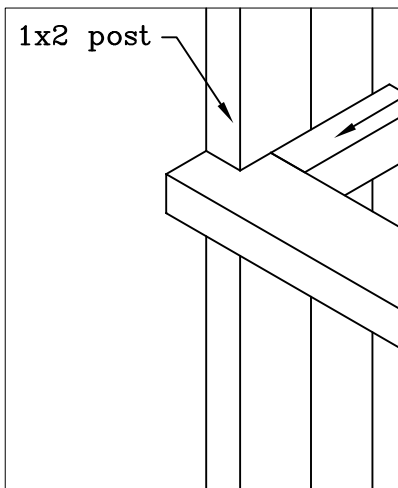
1.

Attach (4) spacer bars to racks with nails

Nail through notches in spacer bars into post. This can be done with provided nails or with a brad nailer.



notches on rails  
need to face ceiling

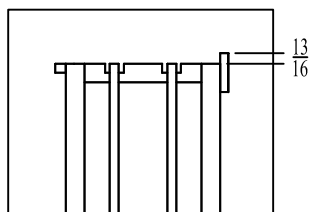


1x2 post

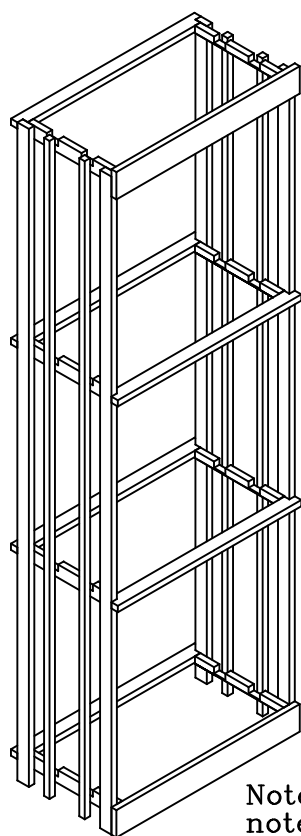
1x2 rails recessed  
to accept spacer bars.  
Spacer Bars should be  
flush with top of rails.

2.

Attach sq. cut crown



NOTE : Square Cut Crown will extend  
13/16" on top of racks



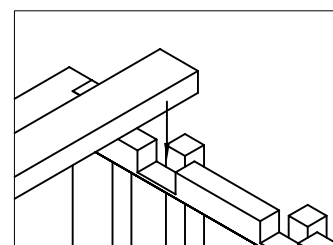
Attach (2) spacer bars  
to front of racks.  
as in step 1.

Attach sq. cut base

Note: Sq. cut base/crown will  
note be used if additional  
moldings are purchased.

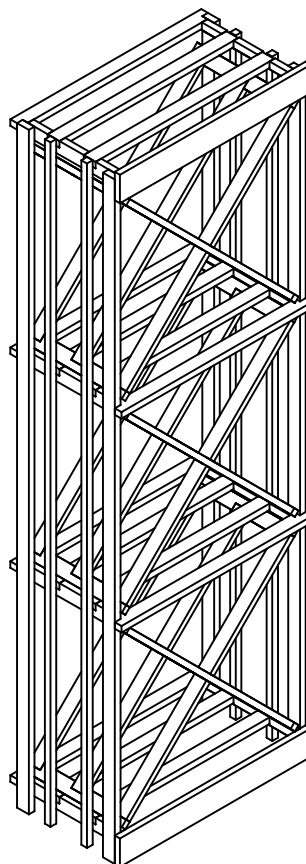
3.

a. Insert (8) slats into  
notched rails.

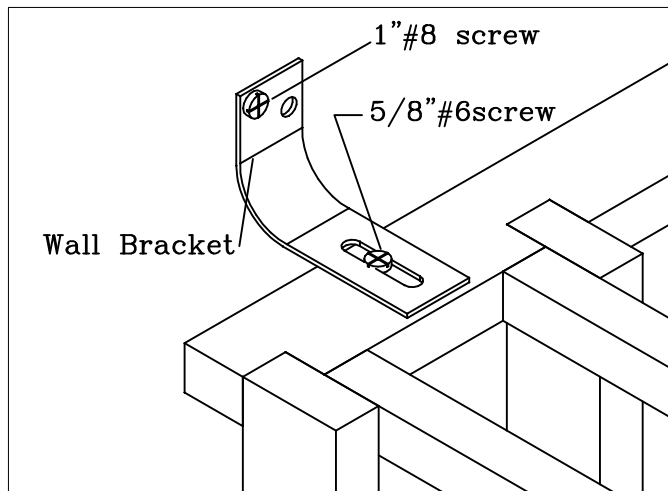


b. Insert (3) x-interlocks  
into openings.

Note: interlocks do  
not need to be nailed  
to racks.



4.



Secure rack to wall by attaching wall brackets to top back spacer bar. You will have 1 bracket on the left and 1 on the right.

Open Diamond Cube  
assembly complete.

always remove bottles before moving racks.

**Wine Cellar Innovations**  
4575 Eastern Avenue  
Cincinnati, Ohio 45226

Phone: (800) 229-9813  
Fax: (513) 979-5280  
[www.winecellarinnovations.com](http://www.winecellarinnovations.com)