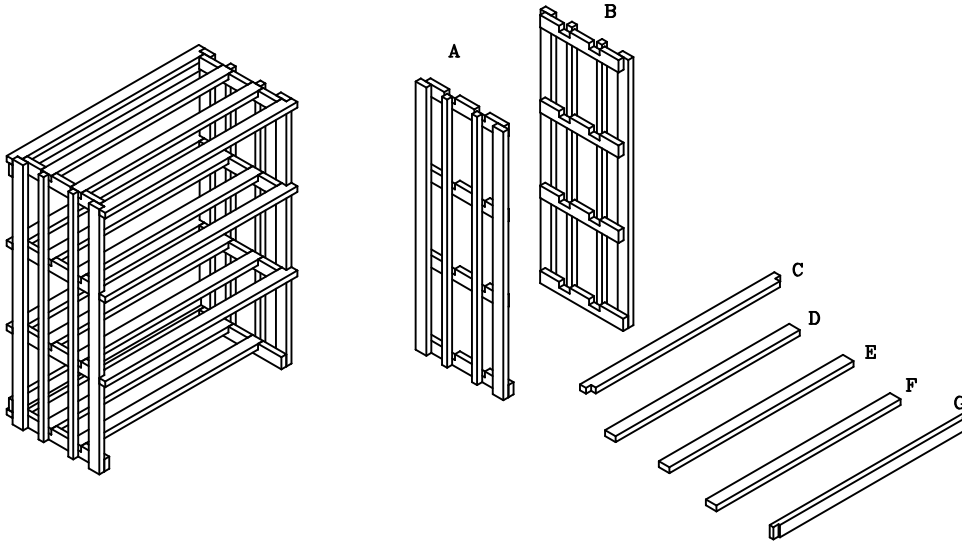


# Designer Series

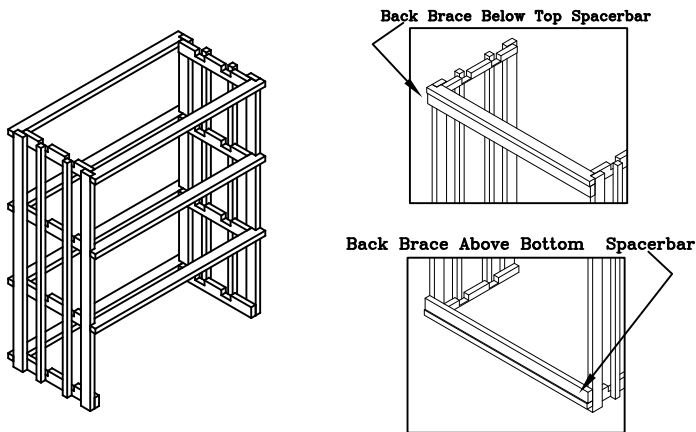
D-RBWC

## Parts List

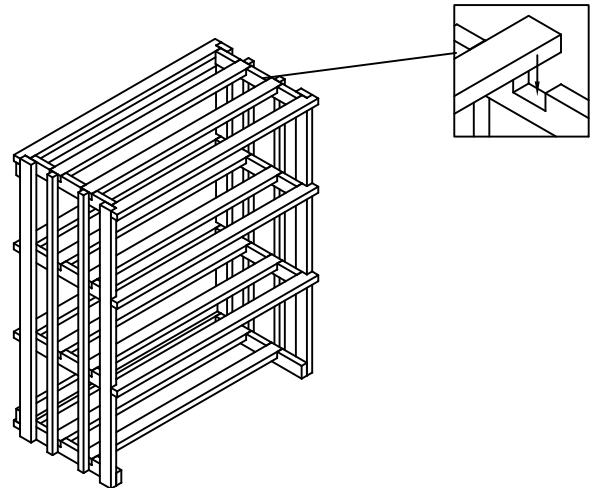
#	qty.	description
A	1	Left
B	1	Right
C	7	Spacer bars
D	8	Slats
E	1	Bottom trim
F	2	Stackable Beam Supports
G	2	Top/Bottom Back Brace
*	1	Bag of nails



1. Attach spacer bars to front and back of rack using provided nails or a brad nailer. Nail through each spacer bar notch into rack. Then attach Top/Bottom Back Brace where indicated below

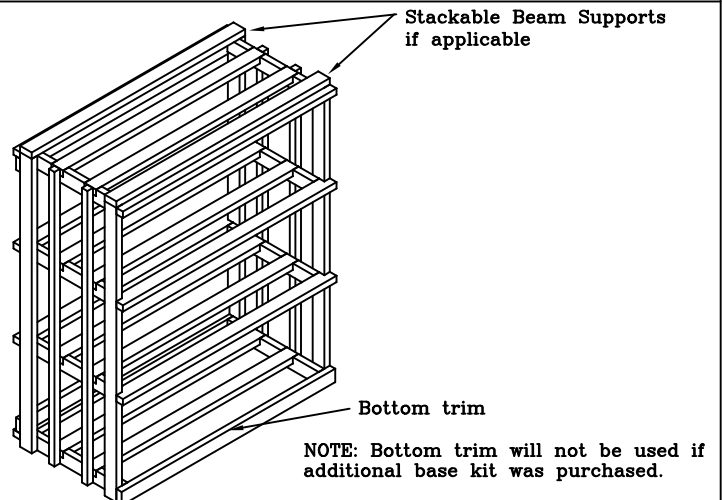


2. Insert slats into notches on rack, nail down through slat into notch on either end to secure.



3. Attach front trim to the bottom of the rack as shown with provided nails.

NOTE: If this is to be used with a tabletop and archway with the DKS series of kits then the 2 stackable beam supports should be placed between the kit and the tabletop in line with the posts.



**Wine Cellar Innovations**  
4575 Eastern Avenue  
Cincinnati, Ohio 45226

Phone: (800) 229-9813  
Fax: (513) 979-5280  
www.winecellarinnovations.com