



VINTAGEVIEW®

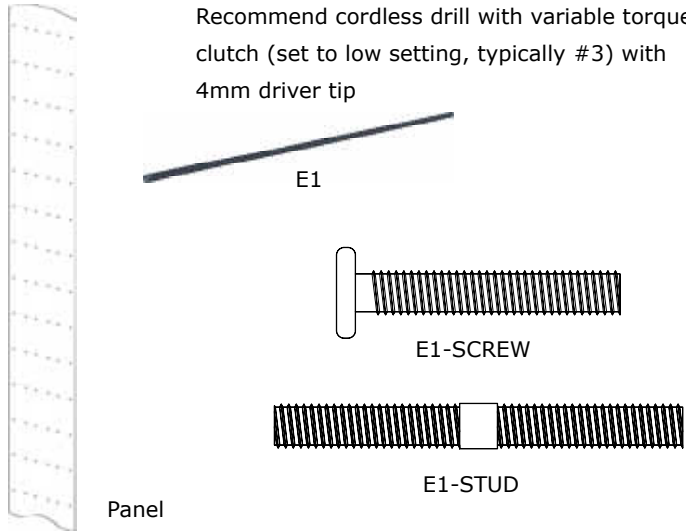
MOVING WINE STORAGE FORWARD

Wine Master Cellars, LLLP • 10645 E 47th Ave, Denver, CO 80239 • phone: 866.650.1500 • fax: 866.650.1501 • VintageView.com

E1 Series Assembly Instructions

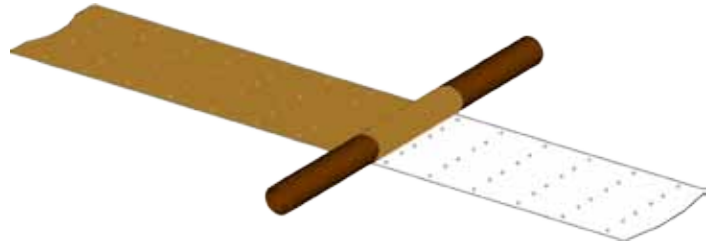
Required tools: 4mm Hex Wrench (included)

Recommend cordless drill with variable torque clutch (set to low setting, typically #3) with 4mm driver tip



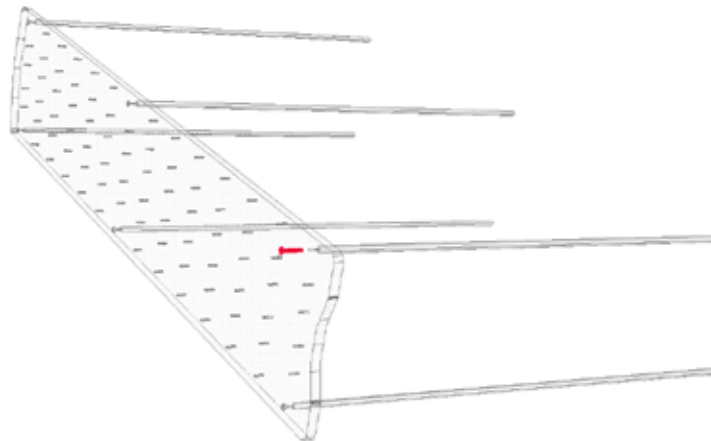
1. **Prepare the Panels** - Remove the protective paper film from both sides of the panels. Acrylic can scratch relatively easily, so do *not* use anything sharp such as a razor blade to remove the film.

Tip: Start peeling the top edge of the film with a fingernail and slowly roll the film over the outside of an empty cardboard tube from the E1 bottle support rods.

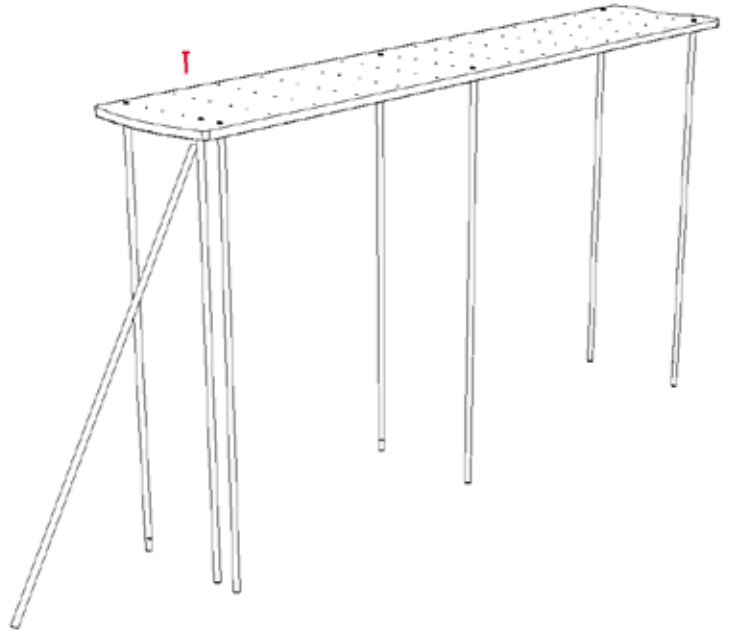


2. **Attach E1's to Corners and Middle of the First Panel** - Lay one panel down on its narrow edge on a clean soft surface such as carpeting, blanket or towel, being careful not to scratch the panel. Insert an E1-SCREW through the hole in one of the bottom corners. Align the end of the E1-SCREW with the threads on the end of an E1 and fully tighten, being careful to not over tighten as this may damage the panel, the threads in the E1 or both. Repeat this process for the other 3 corners and the middle row.

Tip: A cordless drill with a 4mm driver tip will save considerable time during assembly. Be sure to use a low torque setting, typically around #3, on your drill's clutch, if so equipped, to prevent damaging any components from overtightening.



3. **Attach E1's to Remaining Holes in Panel** - Carefully lift the panel to stand on the unsecured ends of the E1's, like a table. Align the top of an E1 with a hole and pivot the rod into place and secure with an E1-SCREW. Repeat this process for the remaining holes.



4. **Affix the Second Panel** – Carefully lift and rotate the partially assembled unit to rest on the panel with the unsecured ends upright, like a bed of nails. Lay the second panel on the ends of the E1's and one at a time, align each E1 with the corresponding hole and secure it in place with an E1-SCREW (**Fig. A.**). If assembling a multi-section unit, use the E1-STUD instead (**Fig. B.**). It is recommended that the E1's be secured row-by-row working down the panel, as this will allow the easiest alignment of the E1 with the holes. For single section units, the assembly is complete, skip to **Step 6.**

Tip: The E1-STUD's may be quickly screwed in by *gently* tightening them in the chuck of a drill with approximately 3/4 of the stud exposed, screwing them in until the flat spot in the middle of the stud is just below the surface of the panel and then releasing the end of the stud from the chuck.

Fig. A

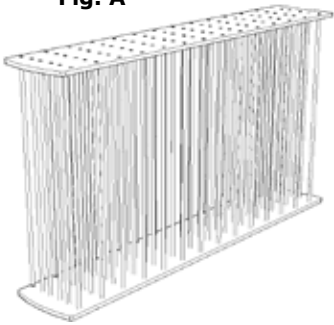
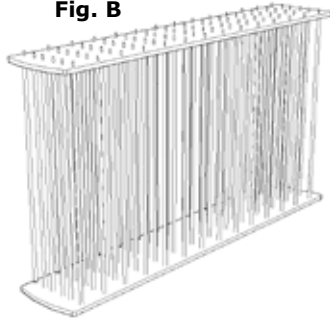
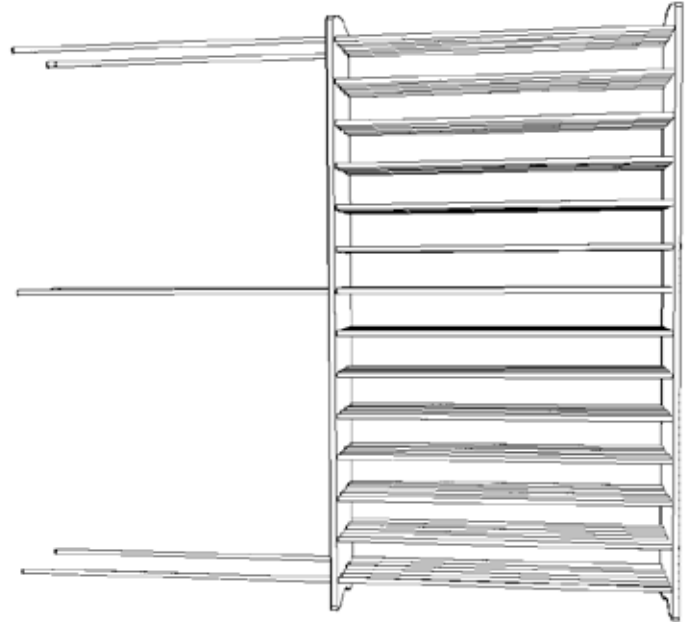


Fig. B

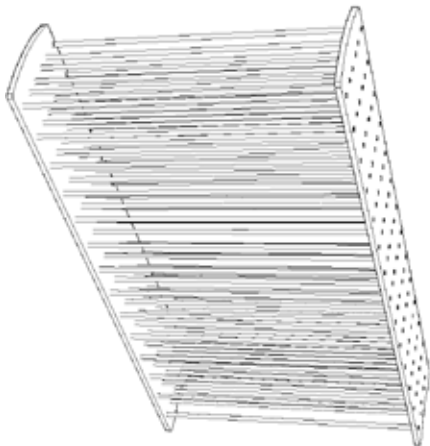


5. **Attach the E1's to Exposed Studs** (for Extensions only) – With all of the studs installed, begin securing the panel in place by installing E1's along the top, middle and bottom rows. Once the second panel is firmly locked in place, the unit may be stood upright for ease of access while installing the remaining E1's.

Tip: The E1's may be quickly installed by *gently* tightening one end of the tube in the chuck of a drill and screwing the other end onto the exposed E1-STUD. Remember to keep the drill set at a low torque so as not to overtighten or damage anything.



6. **Secure to Wall** – It is highly recommended that all units be secured to a wall for optimal stability. This may be accomplished by either directly fastening a panel to the wall by pre-drilling a hole through the panel and screwing or bolting into the wall or by using an "L" bracket. Please contact your VintageView dealer for information regarding brackets of custom shapes or sizes.



Maintenance and Care

To ensure that this product securely and beautifully stores your wine for its intended lifespan, it is critical that it is properly maintained. The acrylic panels should NEVER be cleaned with alcohol or alcohol based cleaners. Be careful, as many popular glass cleaners are alcohol based and use of them may result in significant degradation of the clarity of the panels. Only warm soapy water and soft cloths should be used for cleaning. Additionally, the screws should be checked for tightness at least once per year. Should any connection be identified as loose, tighten as appropriate.

For full warranty information, please visit:
VintageView.com/support/warranty