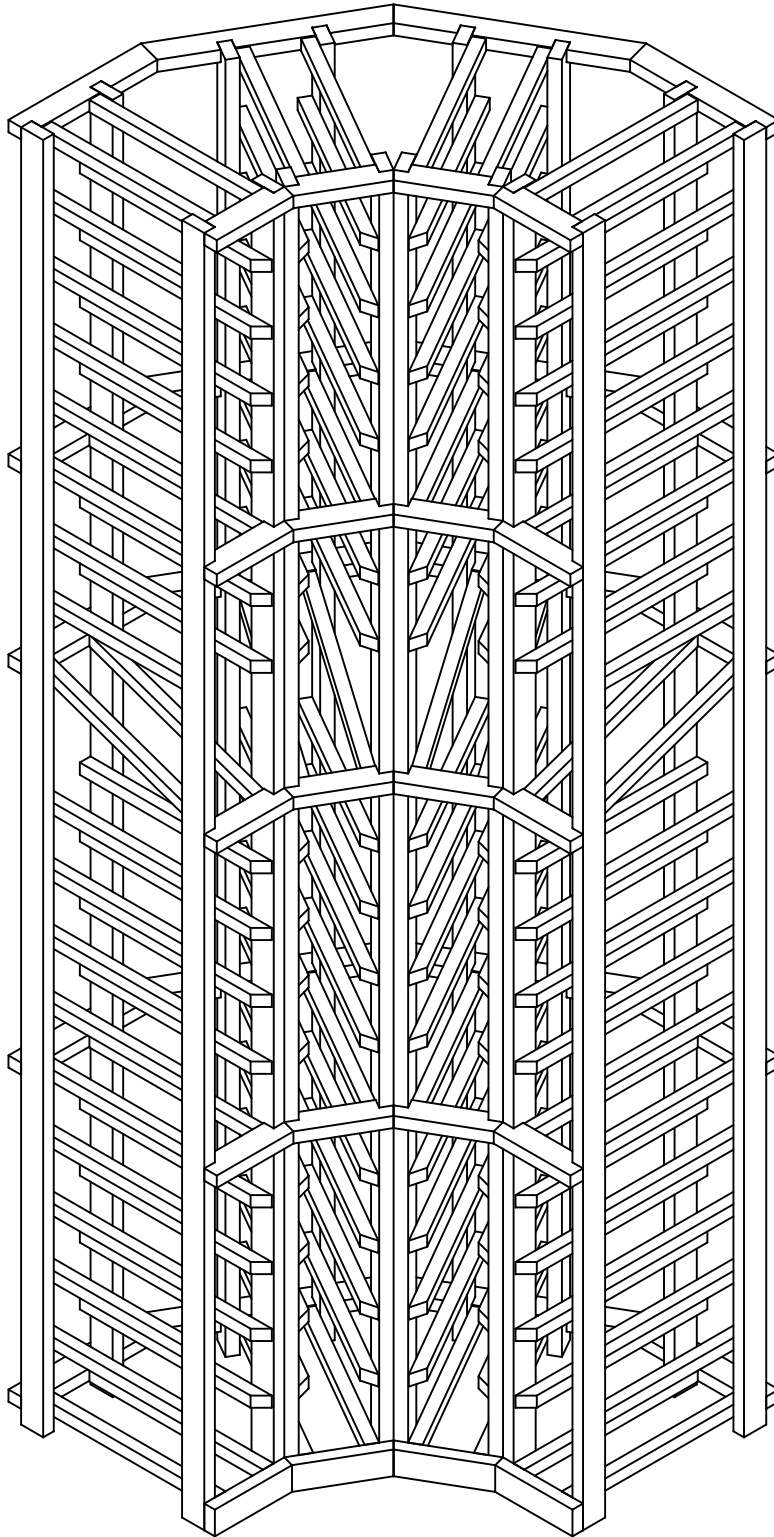


Designer Series

Rev. 5/29/08

4 Column Curved Corner with display



Wine Cellar Innovations
4575 Eastern Avenue
Cincinnati, Ohio 45226

Phone: (800) 229-9813
Fax: (513) 979-5280
www.winecellarinnovations.com

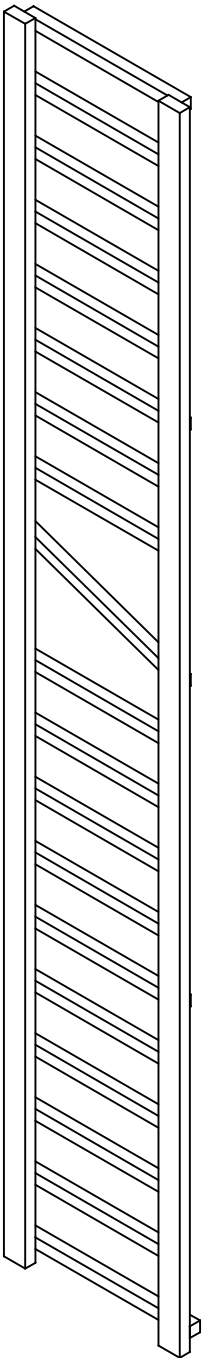
4 Column Curved Corner with display

Parts List

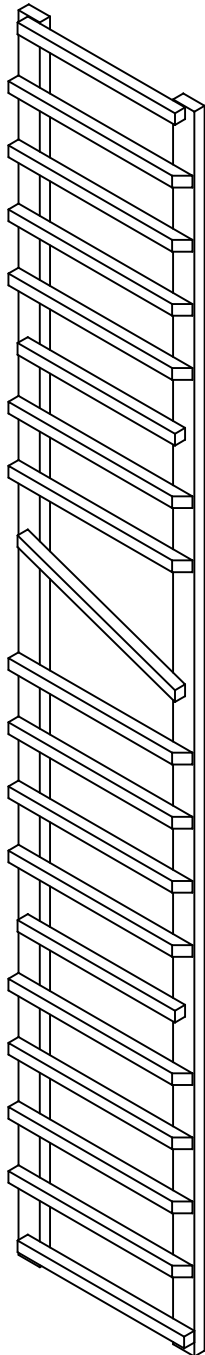
Rev. 5/29/08

| # | qty. | description |
|---|------|---|
| A | 4 | Lefts |
| B | 4 | Rights |
| C | 5 | Rear Spacer Bars |
| D | 4 | Front Spacer Bars |
| E | 1 | Sq. Cut Base |
| * | 1 | Bag of nails |
| * | 1 | Hardware Pack containing 2 angle brackets 2 plastic anchors 2 1" #8 screws 2 5/8" #6 screws |

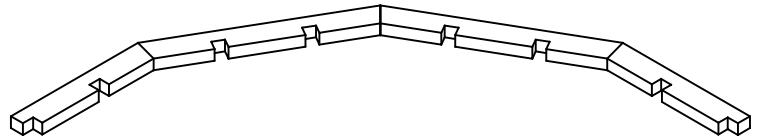
A



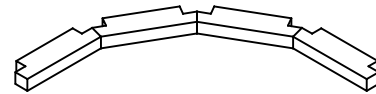
B



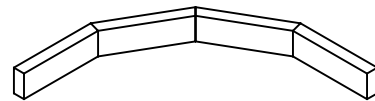
C



D



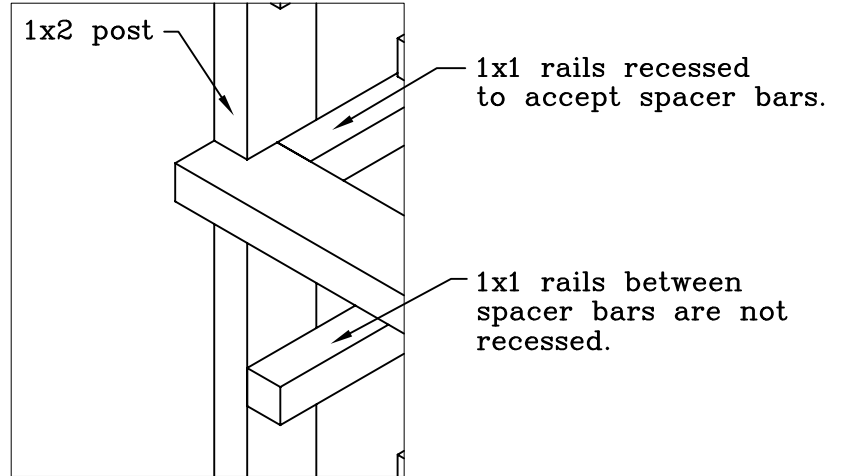
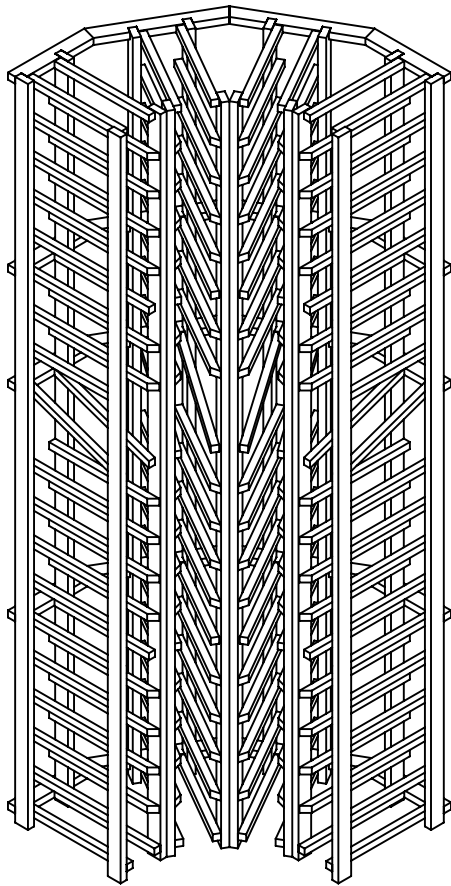
E



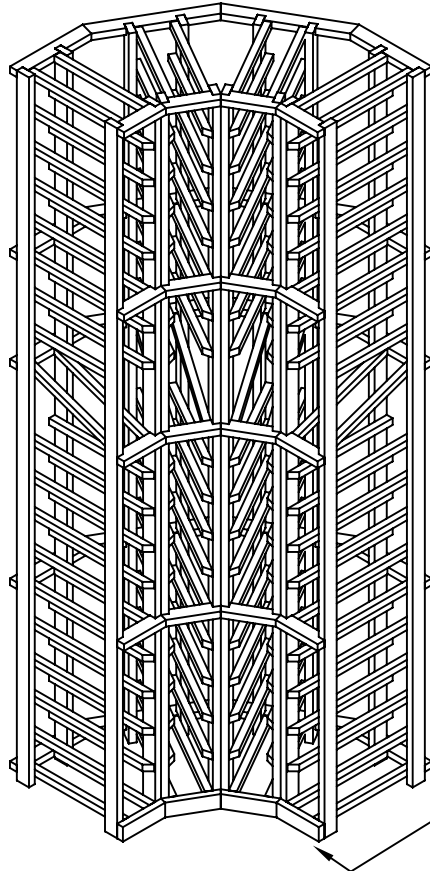
1.

Attach (9) spacer bars to racks with nails

Nail through notches in spacer bars into post. Attach the back spacer bars, then the front spacer bars. This can be done with provided nails or with a brad nailer.

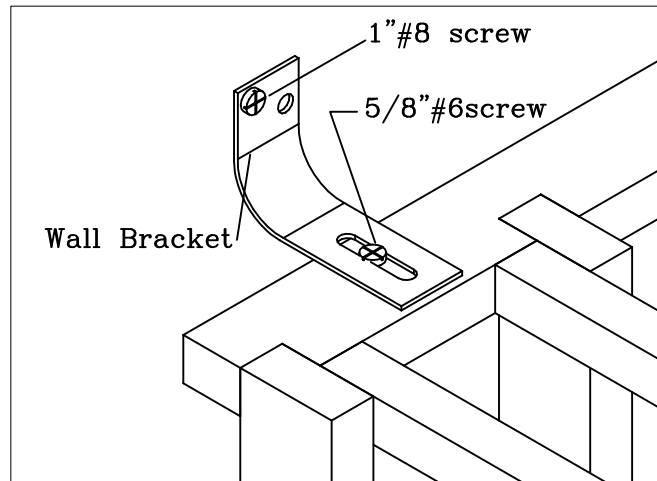


NOTE: 1 side of front spacer bars will have exposed staples. Attach so the staples are in the least visible position.



Attach sq. cut base
Note: sq. cut base will not be used if additional base kit is purchased

2.



Secure rack to wall by attaching wall brackets to top back spacer bar. You will have 1 bracket on the left and 1 on the right.

4 column curved corner
assembly complete.

always remove bottles before moving racks.