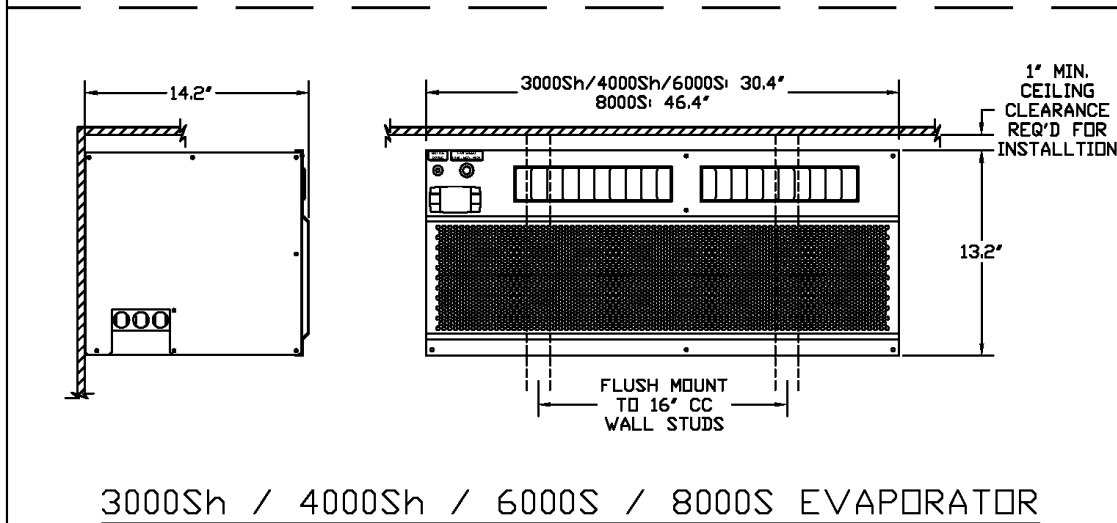
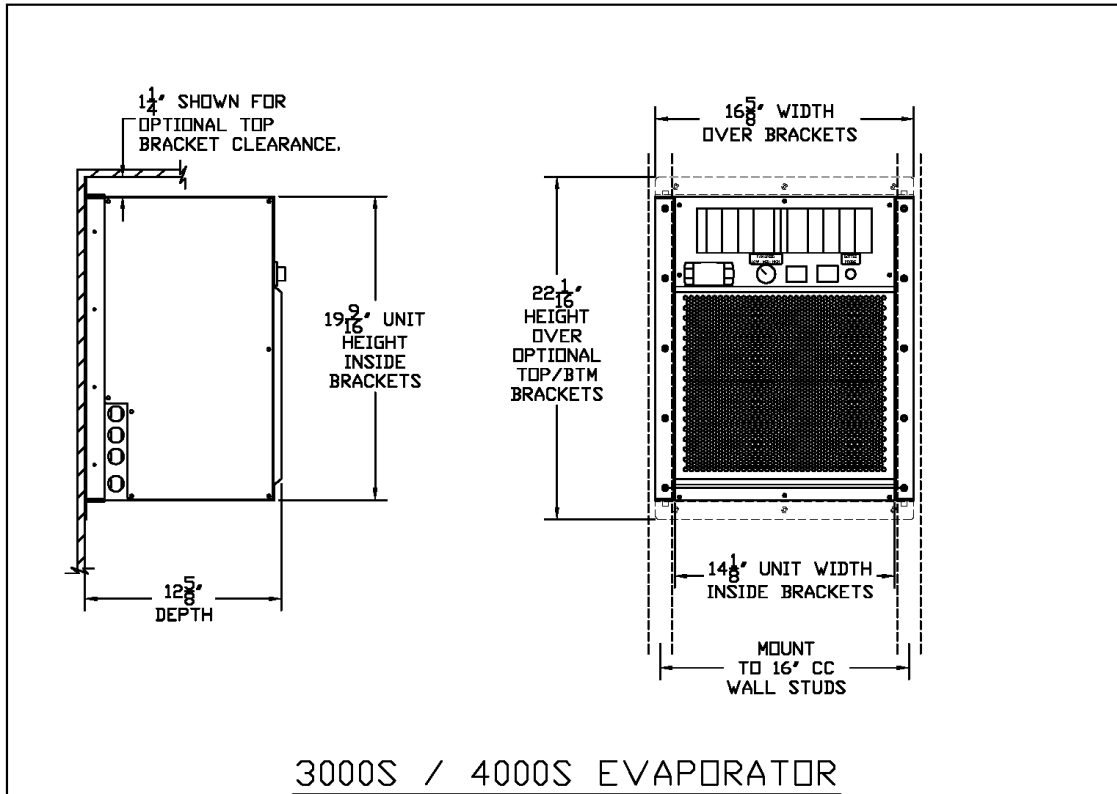


Evaporator Cut Sheet

3000S/Sh	6000S
4000S/Sh	8000S



NOTE:
ELECTRICAL AND REFRIGERATION KNOCKOUTS
AVAILABLE TOP LEFT, BACK LEFT, OR SIDES.
REFER TO KNOCKOUT DETAIL DRAWING.

1452R08



877.726.8496
www.cellarpro.com

vs9-21-16

Evaporator Cut Sheet

3000S/Sh 6000S
4000S/Sh 8000S

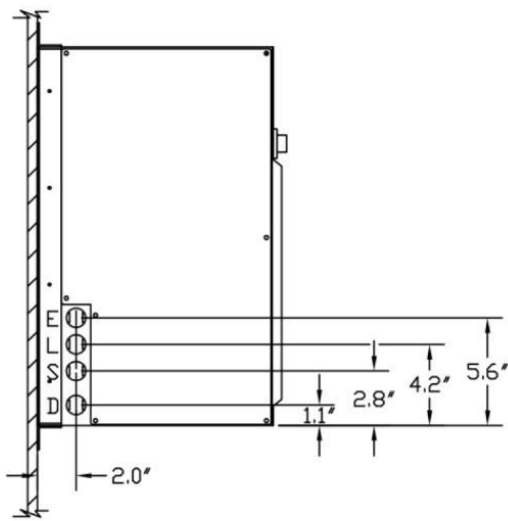
Evaporator			
Model	Dimensions W x D x H (inches)	Weight (lbs.)	Running Amps (with fan on "high")
3000S	16.6 x 12.6 x 22.1 (incl. mounting brackets)	40	6.2
3000Sh	30.4 x 14.4 x 13.2 (incl. mounting bracket)	63	6.2
4000S	16.6 x 12.6 x 22.1 (incl. mounting brackets)	42	8.9
4000Sh	30.4 x 14.4 x 13.2 (incl. mounting bracket)	65	8.9
6000S	30.4 x 14.4 x 13.2 (incl. mounting bracket)	68	13.1
8000S	46.4 x 14.4 x 13.2 (incl. mounting bracket)	85	15.4



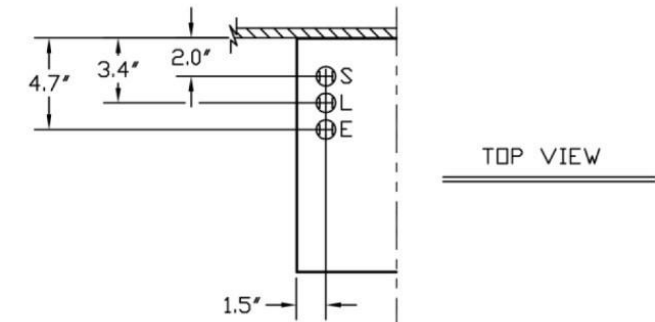
Evaporator Cut Sheet

3000S/Sh	6000S
4000S/Sh	8000S

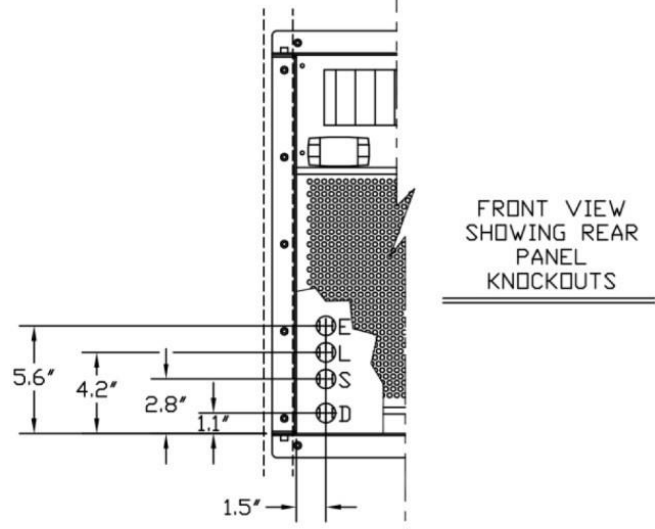
KNOCKOUT LEGEND:
 L = LIQUID LINE
 S = SUCTION LINE
 E = ELECTRICAL CONDUIT
 D = DRAIN LINE
 ALL KNOCKOUTS 7/8"



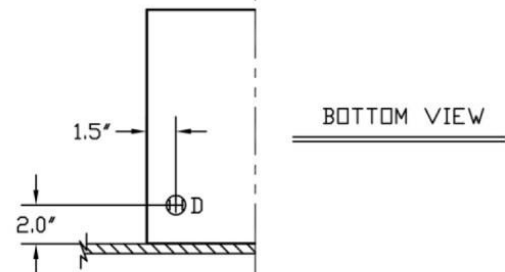
LEFT AND RIGHT SIDE



TOP VIEW



FRONT VIEW
SHOWING REAR
PANEL
KNOCKOUTS



BOTTOM VIEW

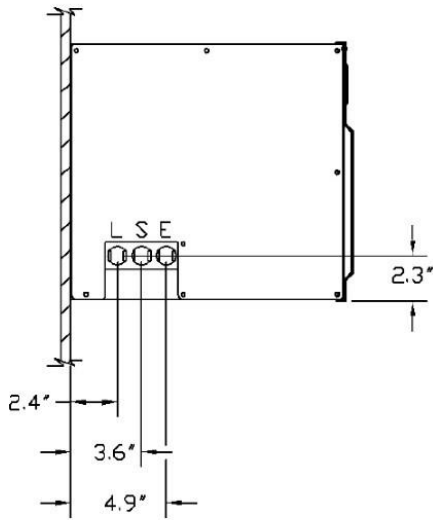
3000S / 4000S EVAPORATOR KNOCKOUT DETAIL

1479R01

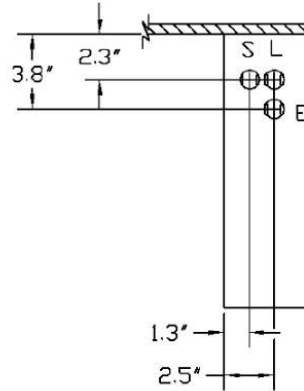
Evaporator Cut Sheet

3000S/Sh	6000S
4000S/Sh	8000S

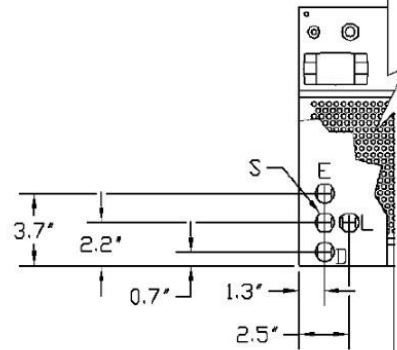
KNOCKOUT LEGEND:
 L = LIQUID LINE
 S = SUCTION LINE
 E = ELECTRICAL CONDUIT
 D = DRAIN LINE
 ALL KNOCKOUTS 7/8"



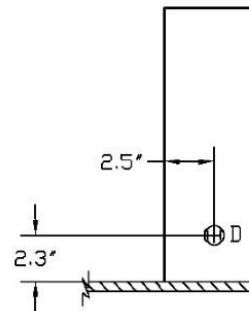
LEFT AND RIGHT SIDE



TOP VIEW



FRONT VIEW
SHOWING REAR
PANEL
KNOCKOUTS



BOTTOM VIEW

3000Sh / 4000Sh / 6000S / 8000S
 EVAPORATOR KNOCKOUT DETAIL

1480R01