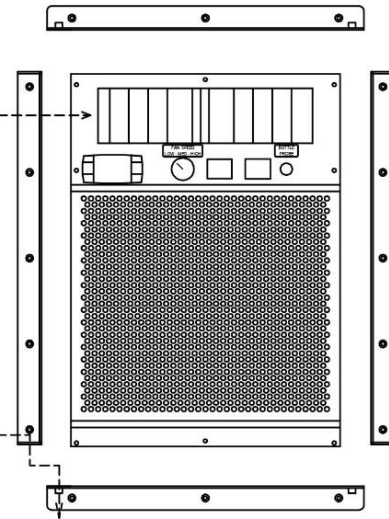


Evaporator Mounting Instructions

3000S
4000S

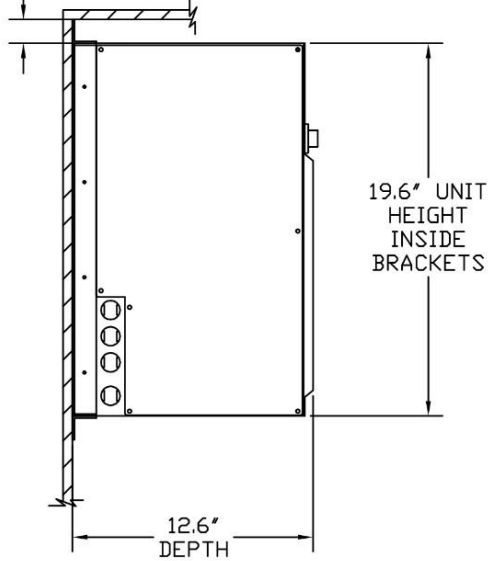
(8) #8x5/8
PHIL HEAD SHEET
METAL SCREWS
4 PER SIDE

(4) 1/4-20x5/8
HEX HEAD BOLTS
AND LOCKWASHERS
TOP & BTM BRKTS

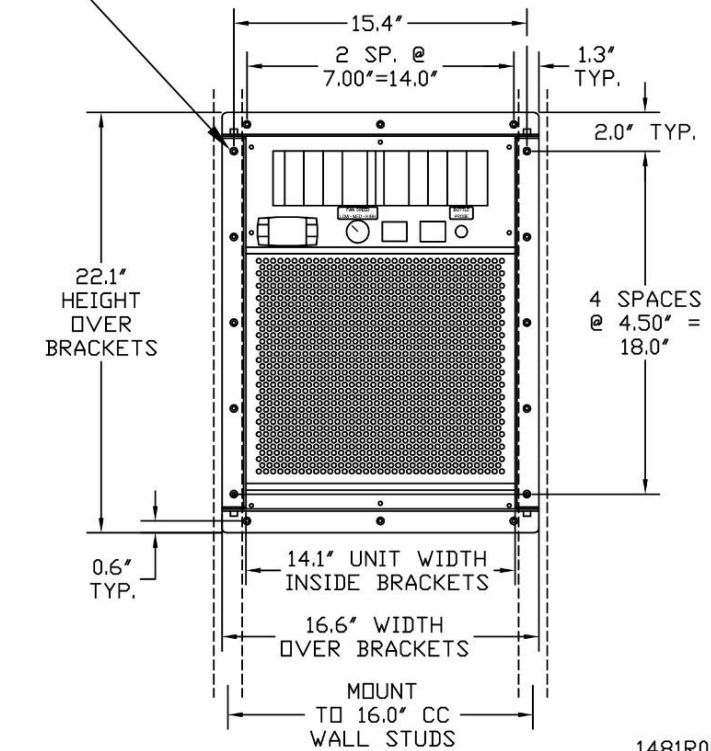


MOUNTING
BRACKET
EXPLODED
VIEW

1.3" SHOWN FOR TOP BRACKET
CLEARANCE. TOP AND BOTTOM
BRACKETS ARE OPTIONAL. UNIT
CAN BE FLUSH MOUNTED TO THE
CEILING WITHOUT THE TOP BRACKET.



(16) #10x1-1/2" PHIL HEAD WOOD SCREWS.
DRILL SIZE:
HARDWOOD: 7/64" DIA
SOFTWOOD: 3/32" DIA



1481R00