



Wine Master Cellars, LLLP • 10645 E 47th Ave, Denver, CO 80239 • phone: 866.650.1500 • fax: 866.650.1501 • VintageView.com

Vino Pins (VP-WD & VP-X) Installation Instructions for Wood Surfaces

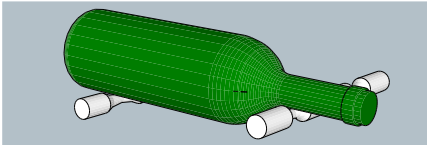
Starter Kit Included Parts: •1 Vino Pins Neck •2 Machine/Lag Studs •1 Vino Pins Base •2 Nuts

Extension Kit Included Parts: •1 Vino Pins Neck Extension •2 Studs •1 Vino Pins Base Extension

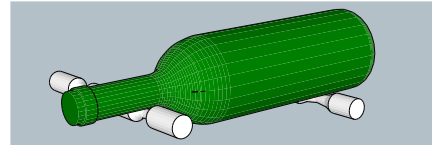
Required tools: •Level •2 X 7/16 inch wrenches •Drill •5/32 inch (4mm) drill bit

Critical Note: These installation instructions are for attaching Vino Pins only to solid wood or plywood surfaces with a minimum thickness of 1/2 inches (12.7mm). If your wall surface does not meet this minimum requirement, please contact your VintageView supplier to obtain appropriate mounting hardware for your wall surface. Installing Vino Pins on wall surfaces that do not meet this minimum criteria may result in failure of the installation and serious damage or injury.

Before you begin, choose the direction the bottle necks should point



If the bottle necks are to point to the right, the base pin must be installed to the left of the neck pin.



If the bottle necks are to point to the left, the base pin must be installed to the right of the neck pin.

1. Mark the mounting hole locations - Reference Figure A below to verify appropriate minimum clearances around the Vino Pins in the desired installation area. Use a level to ensure the printed template is horizontal along the long edge and mark the hole locations by piercing the template with an awl or a screw at the center of the 2 marks corresponding with the bottle direction chosen earlier.

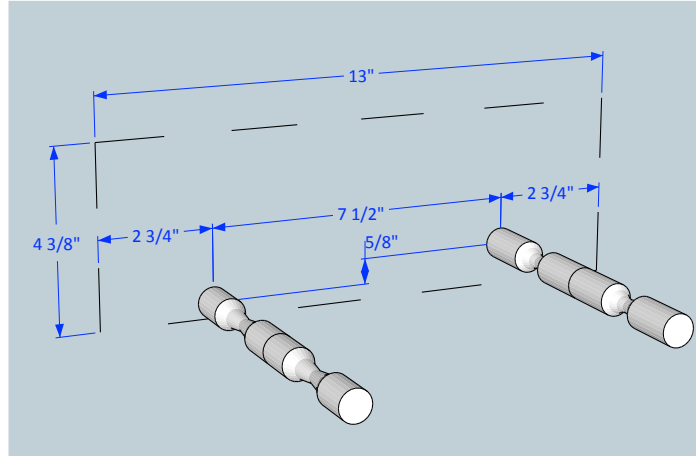


Figure A

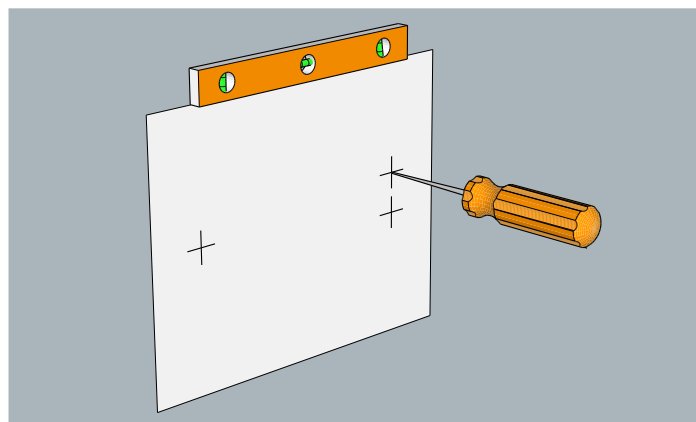


Figure B

2. Drill the pilot holes - Drill a 5/32 inch (4mm) pilot hole for the Machine/Lag Studs at the marked locations (Figure C).

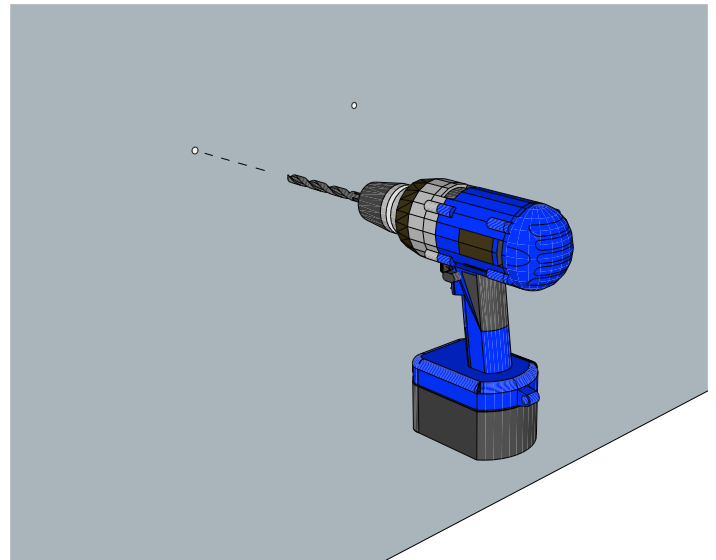
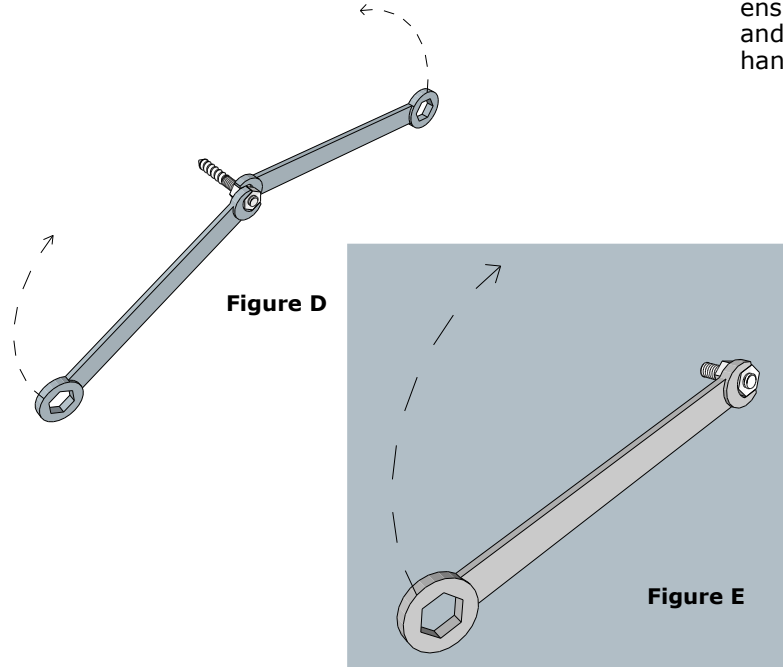
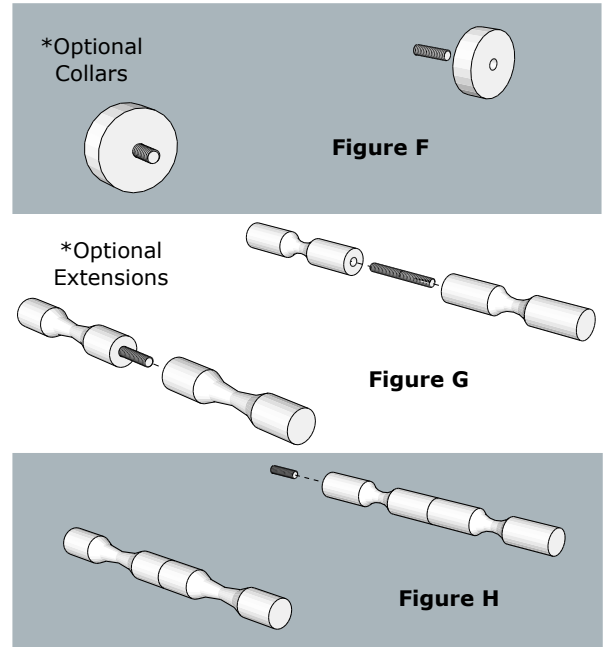


Figure C

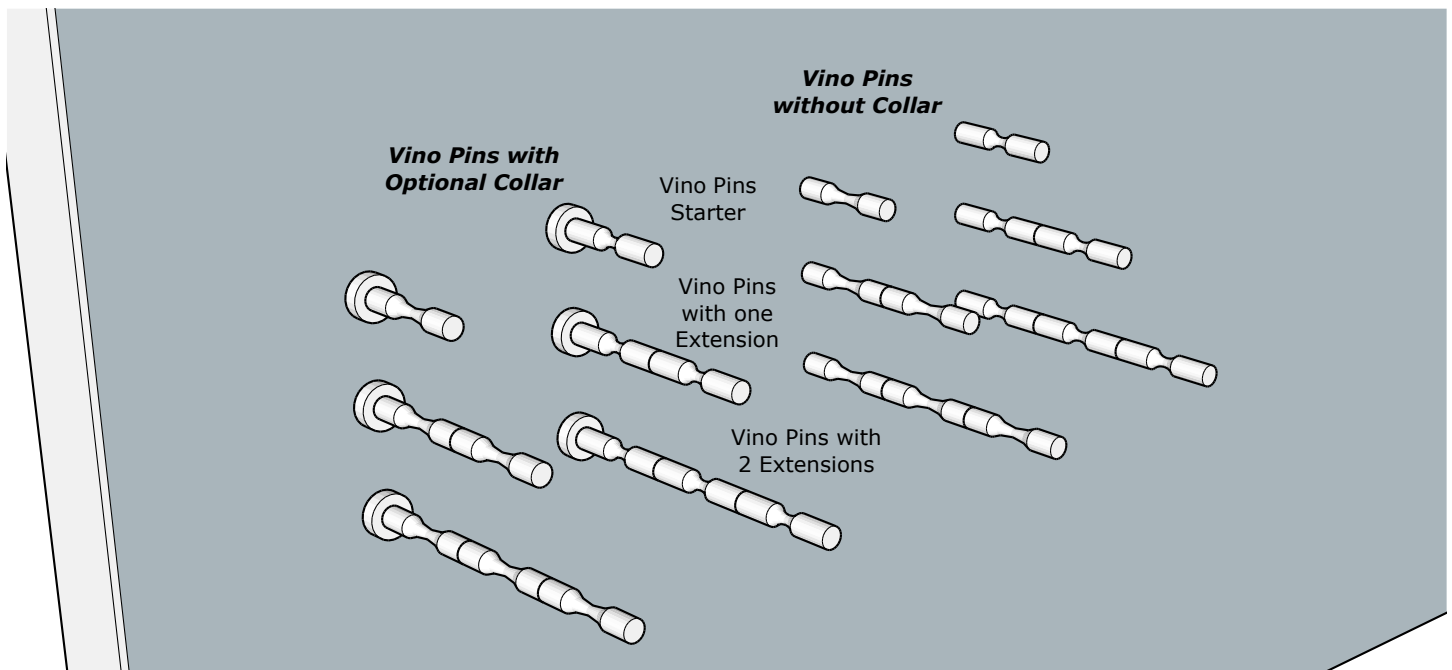
3. **Install the Lag Studs** - Thread 2 nuts onto the fine threaded end of one Machine/Lag Studs and using two 7/16" wrenches, tighten the nuts against one another (Figure D). With the nuts tightend against each other, use one wrench on the outer nut and thread the lag end into the pilot hole in the wall. Screw the bolt into the wall until the coarse threads of the lag screw end are no longer visible, leaving just the finer threads exposed (Figure E). Again using 2 wrenches, loosen the nuts and remove them to repeat the process for the second Machine/Lag Stud.



4. **Assemble the Vino Pins and Install** - If using the optional Vino Pins Collars, slide one over each of the studs protruding from the wall with the open cavity facing the wall surface (Figure F). If using Vino Pins extensions*, thread a stud into one end of the base extension pin and screw the starter base Pin onto the remaining exposed end and firmly hand tighten (Figure G). Connect any additional extensions in a similar fashion and repeat this process for the neck pins. Thread the assembled Vino Pins or the Vino Pins starter onto the studs extending from the wall, ensuring that the base side is secured to the lower stud and the neck pin attaches to the higher stud and firmly hand tighten (Figure H).



***IMPORTANT NOTICE:** The Vino Pins are designed to accommodate a maximum of 3 bottles deep - 1 starter plus 2 extensions. Any application outside of these parameters is not warranted by VintageView and may result in product and/or installation failure, property damage and/or bodily injury.



For product warranty information, please visit: VintageView.com/support/warranty
 We're here to help, call us at 866-650-1500 with any questions.
 US Patents: 6,991,117 and 7,850,017 China Patent: ZL 2006 2 0173305.3

