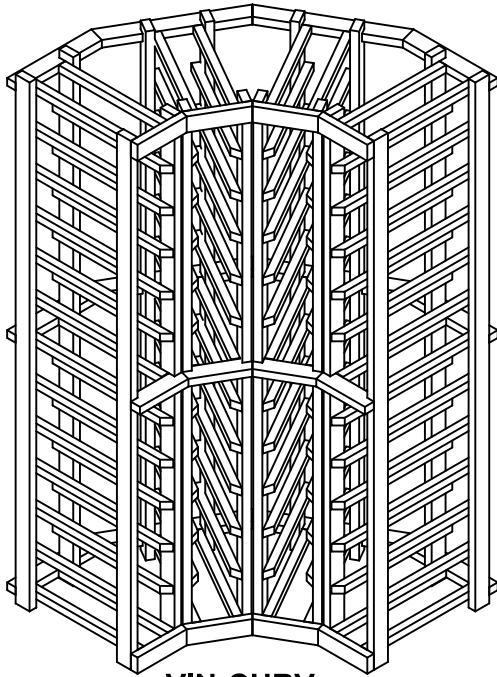
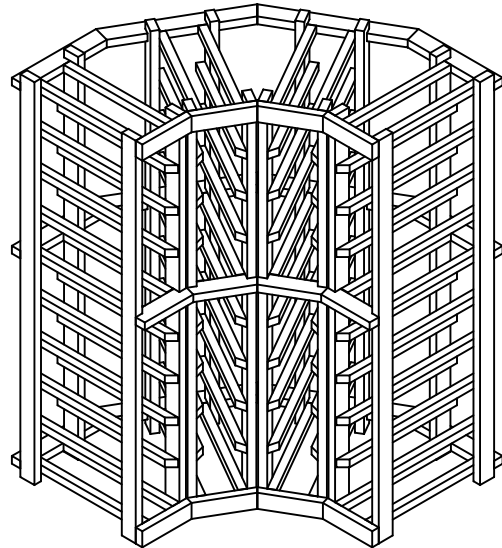


# Vintner Series

## Curved Corner



**VIN-CURV**

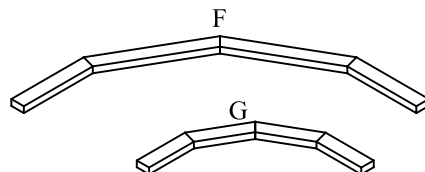
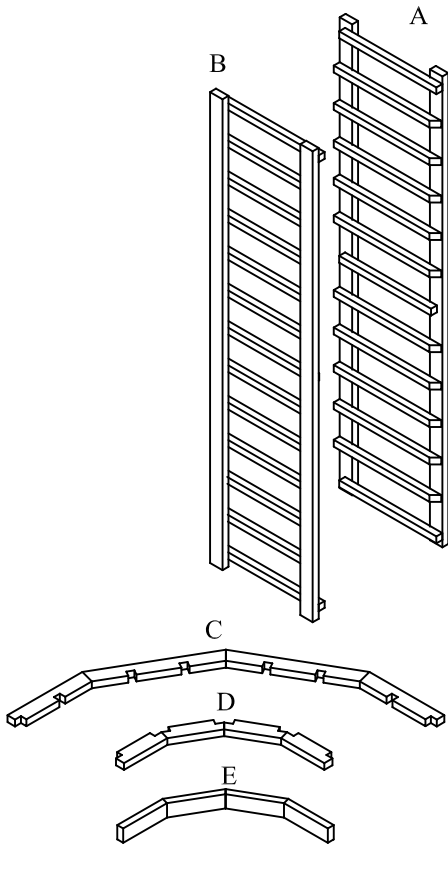


**VIN3-CURV**

Note: The VIN-CURV is detailed in this manual however the assembly procedure for VIN-CURV and VIN3-CURV kit is the same.

### Parts List

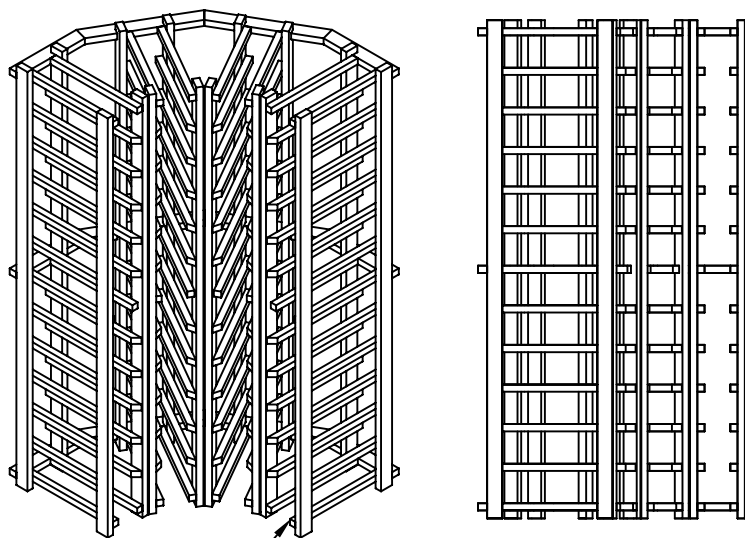
#	qty.	description
A	4	Right Racks
B	4	Left Racks
C	3	Back Spacer Bars
D	1	Front Spacer bar
E	2	Top/ Bottom Trim
F	1	Rear Stackable Beam Support
G	1	Front Stackable Beam Support
*	1	Bag of nails
*	1	Hardware Pack containing 2 1" Corner Brace 2 plastic anchors 2 1" #8 screws 2 5/8" #6 screws



**Wine Cellar Innovations**  
4575 Eastern Avenue  
Cincinnati, Ohio 45226

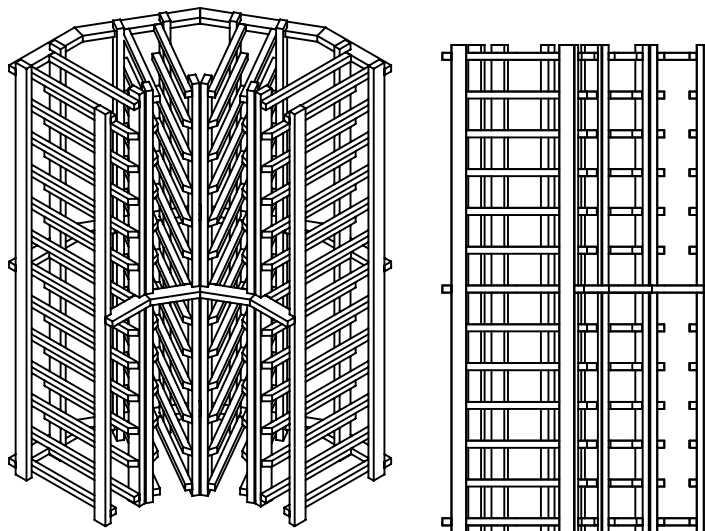
Phone: (800) 229-9813  
Fax: (513) 979-5280  
www.winecellarinnovations.com

1. Attach (3) spacer bars to the back of the racks with nails.  
This can be done with the provided nails or with a brad nailer.



bottom and top rails  
are not recessed on front  
of rack

2. Attach a spacer bar to the front of the racks.



3. Attach top trim to front of racks with nails provided. If unit is not going to be stacked on top of another kit then attach bottom trim as well. If unit is going to be stacked on top of another kit then follow the trim kit instructions before attaching the bottom trim board.

