



## WS-PR Installation Instructions

**Required tools:** Phillips Head Screw Driver

Level

Pencil

Tape Measure

Drill and 1/2 inch (12.7 mm) drill bit

**Included Parts:** 1 Presentation Rack

5 Plastic Couplers

8 Mounting Hole Caps

4 Spiral Drywall Anchors

8 Screws

4 Toggle Bolts

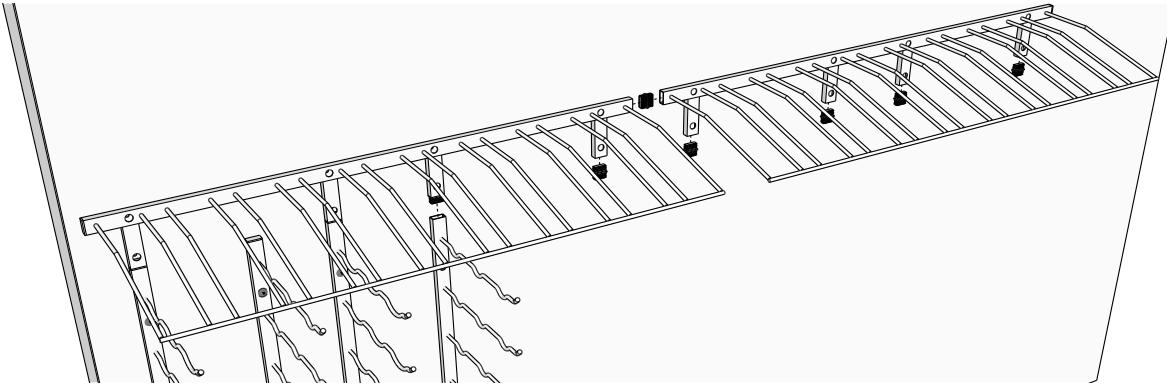
**Fasteners:**

There are eight pre-drilled mounting holes in each rack. Appropriate fasteners for your wall surface must be utilized in every mounting hole for proper installation. Fasteners for drywall or wood wall surfaces are included with your rack. We recommend the following fasteners for these surfaces:

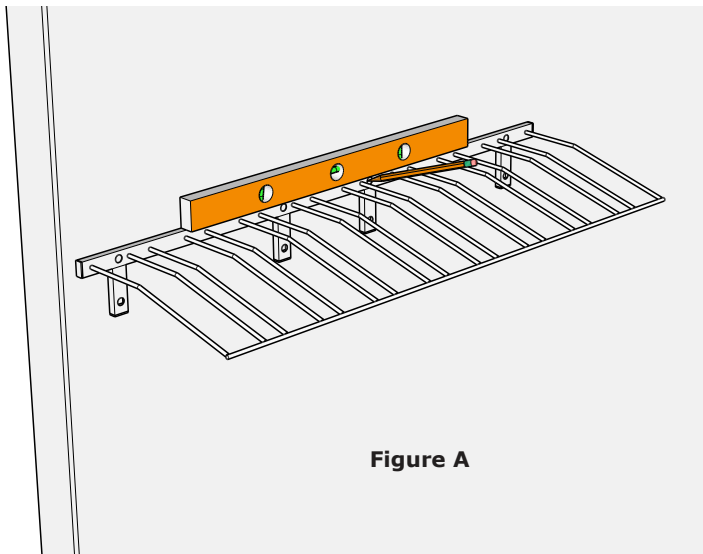
- Attaching to drywall, use 4 of the included Spiral Drywall Anchors and 4 Screws along with 4 Toggle Bolts
- Wood wall surfaces can use the 8 included Screws
- Concrete, Brick or Stucco: 3/16" x 1 1/4" masonry screw or #8 x 1 1/4" screw with appropriate size expanding concrete anchor
- VintageView® Floor to Ceiling Frame (FCF-HD): Each FCF-HD comes with self-drilling screws to attach WS series racks to the frames

**Before you begin:**

When plans call for installing the WS-PR *above* WS1x, WS2x, WS3x or WS4x racks, it is recommended to install the WS-PR *first*, as this will simplify the installation of the racks below and is necessary to allow any WS-PR's to couple side-to-side. Additionally, it is strongly recommended that in places where the racks will line up with each other, the end plugs are removed and/or replaced with couplers prior to installation of the WS-PR, for ease of access.

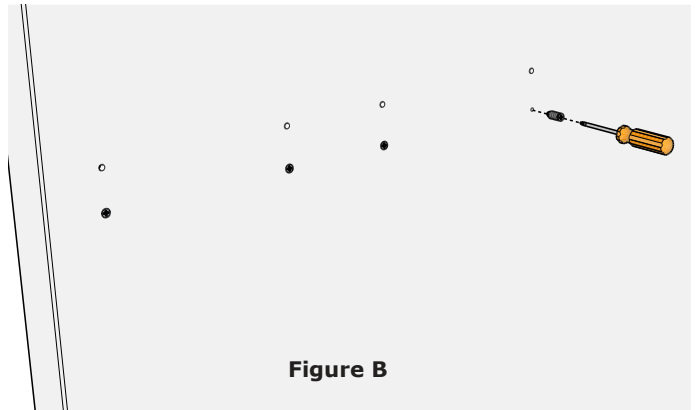


**1. Mark the mounting hole locations** - Position the rack on the wall where it is to be installed and use a level to ensure the rack is perfectly horizontal. Using a pencil, mark all 8 mounting hole locations (Figure A) and set the rack aside.



**2. Install the anchors** - For the bottom row of holes, simply use a Phillips head screw driver to screw the Spiral Drywall Anchors into the wall at the marked hole locations until the head of the anchor is flush with the wall surface (Figure B). For the top row of mounting holes, drill a 1/2 inch (12.7 mm) hole (Figure C) for use with the supplied toggle bolts.

Note: If a marked hole location is over a stud, the Hollow Wall or Toggle Bolts should not be used. Extra Screws are supplied and should be used to fasten directly into the stud.



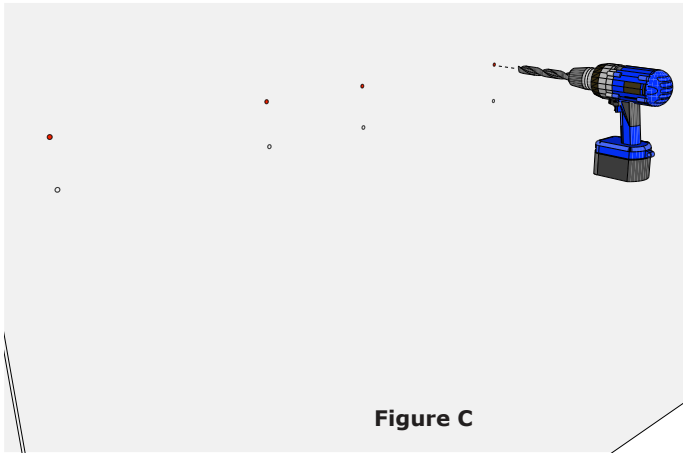


Figure C

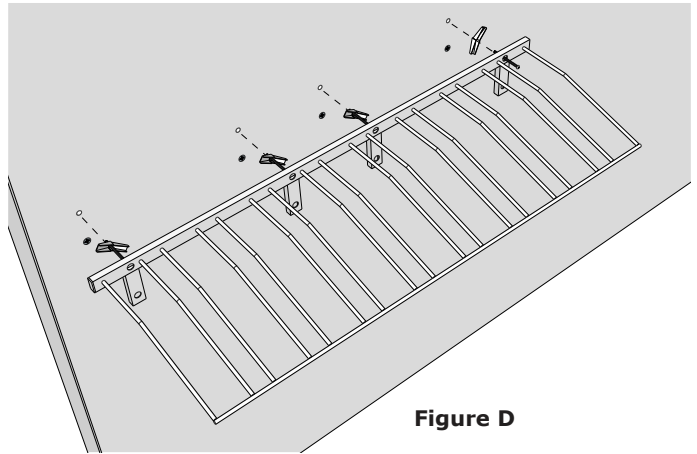


Figure D

**3. Hang the rack** - Remove the expanding nuts from the Toggle Bolts and insert the bolts through the top 4 mounting holes. Thread the expanding nuts back onto the bolts with the wings positioned so they will fold toward the head of the bolt until the tip of the bolt is slightly protruding from the nut (Figure D). Align the Toggle Bolts with the holes in the wall and gently push the Toggle Bolts through the wall, ensuring that both wings of the nut expand on the back side of the wall. When all 4 bolts are in place, gently tighten the Toggle Bolts, keeping the lower mounting holes aligned with the anchors. Finish securing the rack to the wall through the bottom 4 mounting holes using the provided Screws (Figure E) and fully tighten the Toggle Bolts.

**3. Install the mounting hole caps** - With the rack fastened to the wall, simply press the provided mounting hole caps into the 1/2 inch holes in the face of the rack (Figure F) to cover the mounting hardware and you're done!

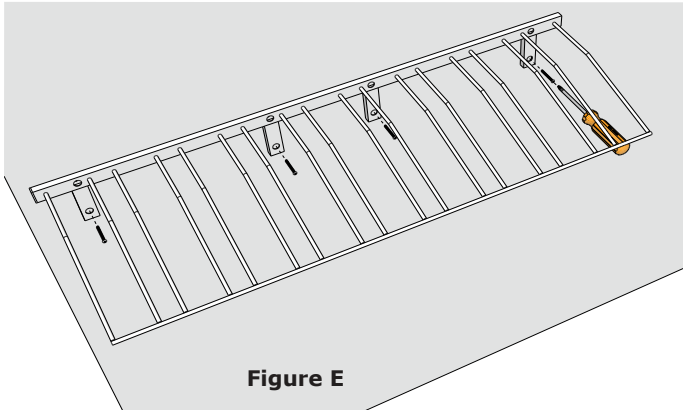


Figure E

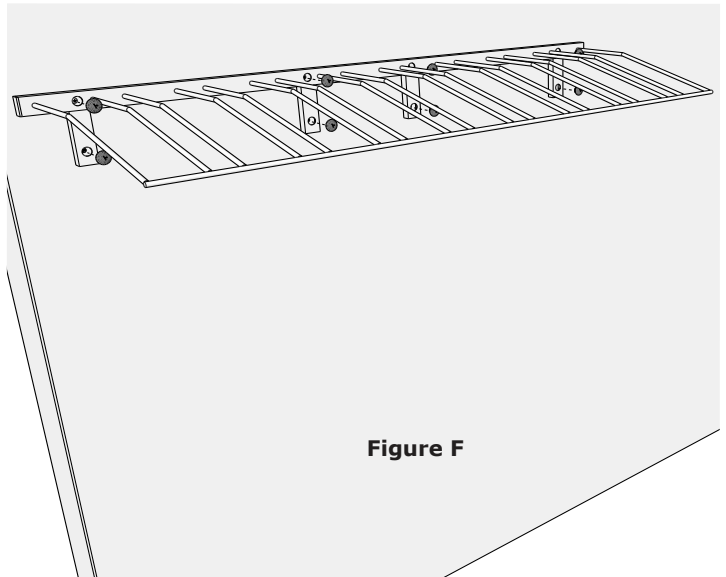


Figure F

**\*Alternate Installation\* Attaching to FCF-HD** - Place the rack against the FCF-HD in the position where it is to be installed and ensure that it is horizontal using a level. To secure the rack, use the Self Drilling Screws provided with the FCF-HD and fasten the rack through each of the 8 mounting holes.

Note: The FCF-HD need to be spaced at 13 inches between centerlines to properly align with the legs of the WS-PR (Figure G).

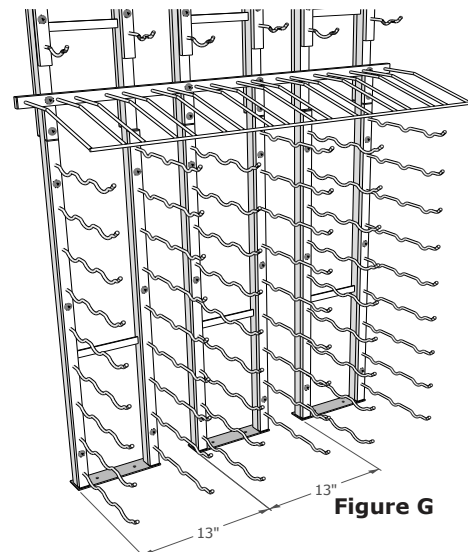


Figure G