

WineZone 8700a Ductless Split Specifications

Condenser:

<u>Voltage</u>	<u>Ampacity</u>	<u>Max. Fuse</u>	<u>Min. Wire Size</u>	<u>RLA/LRA</u>	<u>dB</u>
230/208-60-1	11.4	15	12-2 w/Gr	8.0/46.0	58

- 5/16" x 3/4" line set up to 75 equivalent feet and 3/8" x 7/8" for 76 to 200 equivalent feet maximum
- Unit is not precharged and must be evacuated
- Compatible for use with R-134a
- Indoor condensers must be installed in a room with a minimum of 7250 cubic feet of free space
- Dimensions:

Indoor Unit: 28" x 24 1/2" x 20 1/4"	130 lbs.
Outdoor Unit: 27" x 24 1/2" x 22"	160lbs.

Wall Mounted Evaporator:

<u>Voltage</u>	<u>Motor Output</u>	<u>Filter</u>	<u>dB</u>
208/240-60-1	38 Watts	Washable	45

- Receives load voltage from condenser
- Drain line is 5/8" barbed
- Dimensions: 49" W x 12 7/8" H x 9 1/8" D 48 lbs.

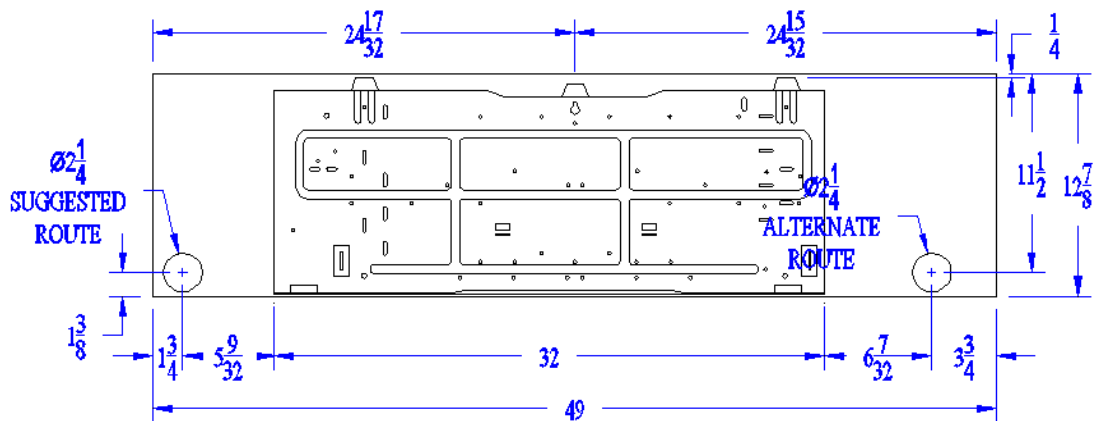
Thermostat:

- Honeywell FocusPRO5000 or Peco 12532 if ordered with humidifier
- 18-gauge 5-wire to the condenser

Approximate Shipping Weight: 365-420 lbs

Crate Size: 40" x 59" x 49" T

Evaporator Template
Possible Routes for Refrigerant Lines, Drain, and Electric
(Only One Hole Needed)



The holes shown are the best locations to route the refrigerant lines, condensate drain, and electric. For installations where the line set will be accessible on the backside of the wall, use the alternate route. When the line set will be run inside the wall before the drywall is installed, use the suggested route. This will leave the flare connections exposed so they can be connected after the walls are finished.