

Eliminate the risk of providing your own HVAC system for a specialty environment *with a pre-engineered, pre-packaged Wine Guardian Pro system.*



## *Split Systems*

Pre-engineered for specialty environments and hotspots such as

- Fur storage
- Wine Cellars
- Cigar storage
- Instrument Storage
- Art storage
- Server rooms





## Ductable Split Systems

**Ductable split systems are** the most versatile specialty cooling system on the market for customers who expect the most advanced technology in a specialty cooling unit. Applications include wine cellars, art or document preservation, instrument or fur storage, computer closets, niche environments, and more; these units can be used in nearly any application.

### All Inclusive

- **3,400 to 14,900 BTU/H** cooling capacities
- 24-volt electronics for use with today's smart thermostats and building management systems
- Enhanced refrigeration controls
- High ambient protection
- Low ambient protection down to 20°F (-7°C)

### Durable

- Aluminum body and **all-aluminum** evaporator coils (fins & tubes) are **corrosion-resistant**
- Standard high static pressure fan for extended lengths of ductwork
- Completely serviceable in the field



### Flexible

- Utility piping in one easily accessible location
- Multiple evaporator outlet locations (Any of five sides)
- Versatile, space-saving slimline condensing unit is ideal for wall and pad mounting

### Unique Options

- Bolt-on humidifier
- Electric heat
- X-treme low-ambient controls on condensing unit for -20°F (-29°C) operation



## System Specifications (BTUH)\*

Model	Wine Cellars (55°F/57%)	ASHRAE (80°F/50%)	Heat (kW)	Voltage (Hz)
<a href="#">SP50</a>	6,300	7,760	1.0	115
<a href="#">SP88</a>	9,600	10,690	2.0	230
<a href="#">SP200</a>	14,900	20,100	2.0	230

\* See detailed specifications for complete product performance specifications, above table to be used as a guide only, based on 90°F condenser inlet conditions and maximum evaporator airflow at 0.0" esp.

Maximum advisable operating conditions are ASHRAE rating conditions of 80/50% indoor at 95°F outdoor.

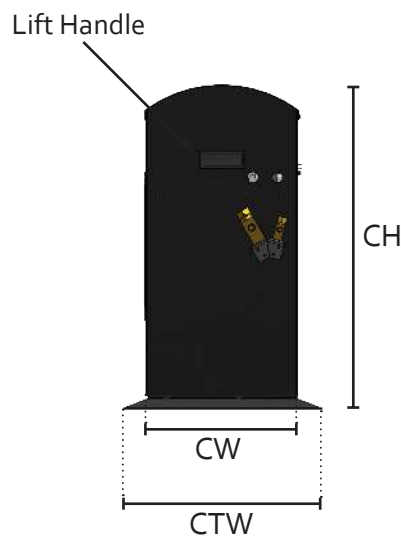
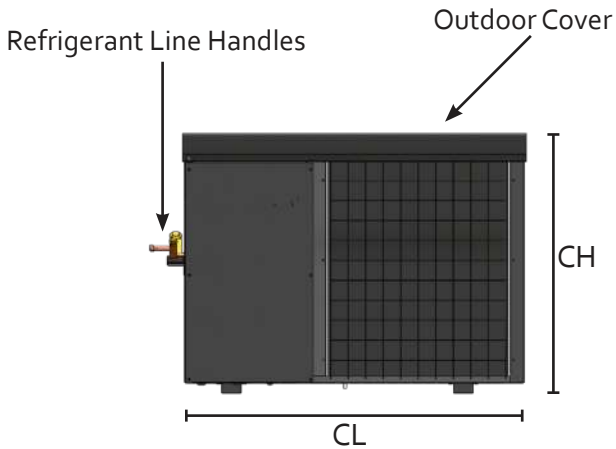
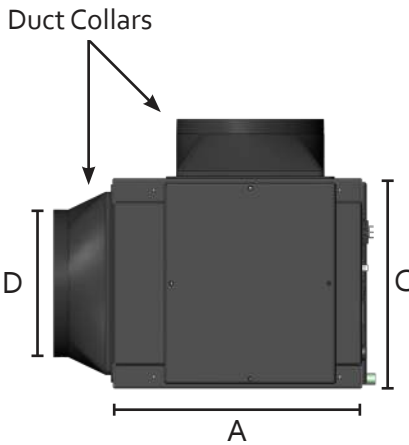
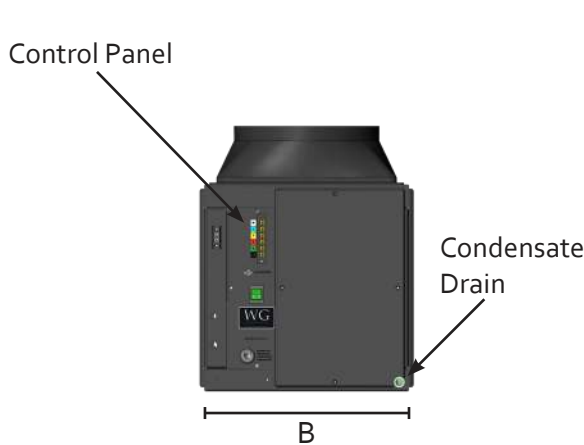
**Note:** Model SP25 is now apart of the [Sentinel Series](#). View the [Product Brochure](#) for more information.

Wine Guardian USA:  
1 (800) 825 3268 | 1 (315) 452 7400  
[wineguardian.com](http://wineguardian.com) | [info@wineguardian.com](mailto:info@wineguardian.com)

Find a Distributor



# Ductable Split Systems



## System Specifications\*

Model	A	B	C	D	Weight	Outdoor Condenser**				
						CL	CW	CTW	CH	Weight
<a href="#">SP50</a>	16 <sup>3/4</sup>	22	14 <sup>1/4</sup>	10	35	34	12	16	26	75
<a href="#">SP88</a>	16 <sup>3/4</sup>	22	14 <sup>1/4</sup>	10	37	34	12	16	26	100
<a href="#">SP200</a>	20 <sup>7/8</sup>	23	18	12	56	34	12	16	26	125

Note: Length, Width and Height in inches (in.); Weight in pounds (lbs.)  
 \*Specifications are subject to change  
 \*\*Wine Guardian Condensing unit is patented.  
 US Patent No. D791294. EU Patent No. 003189349-0001

**Note:** Model SP25 is now apart of the [Sentinel Series](#).  
 View the [Product Brochure](#) for more information.

Rev 9/21