

READ BEFORE YOU START

LOCATION:

Appliance is for indoor use only. Never vent into a laundry closet or similar room which traps warm air. Unit must vent to an adjacent interior ventilated space close to the ceiling. Exhaust air must not be obstructed in any way.

TEMPERATURES:

Select a suitable area, sized to model's cooling capacity, where ambient temperature will not exceed the desired storage temperature by more than 25°F (14°C). The temperature of the air where the unit vents its warm air must be at least 65°F and never exceed 80°F with 70% R.H. Lower set temperature from default 57°F (14°C) only if ambient condition allows.

Set temperature range: 53°F - 64°F (12°C - 18°C)

INSULATION:

Install unit where ALL surfaces (walls, floor and ceiling) are insulated to R-20 and protected by vapor barrier on both sides. Uninsulated concrete floors will radiate heat and humidity during summer months, forcing the unit to work inefficiently. All floors must be INSULATED! Use an insulated door with weather seal.

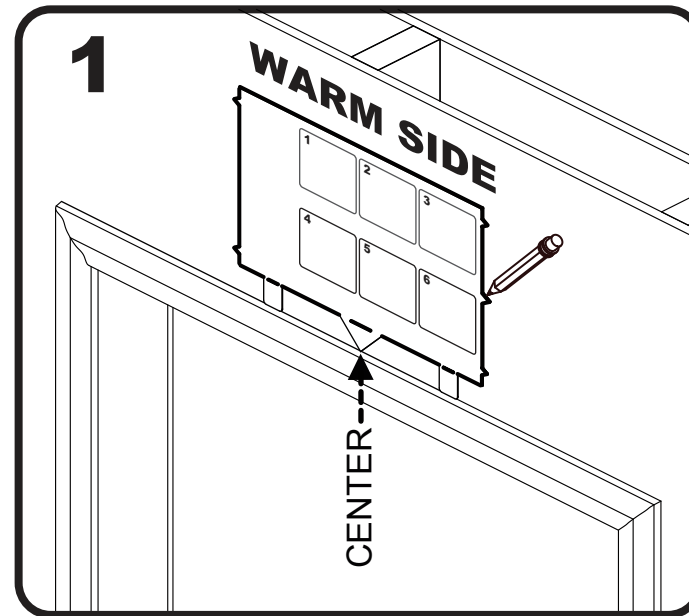
POWER:

Outlet (on cool side) power must be a dedicated separately fused grounded 15-Amp 115 Volt line within reach of supplied power cord (Europe; 10-Amp 220 Volt). Line must not be shared. Do not use extension cords.

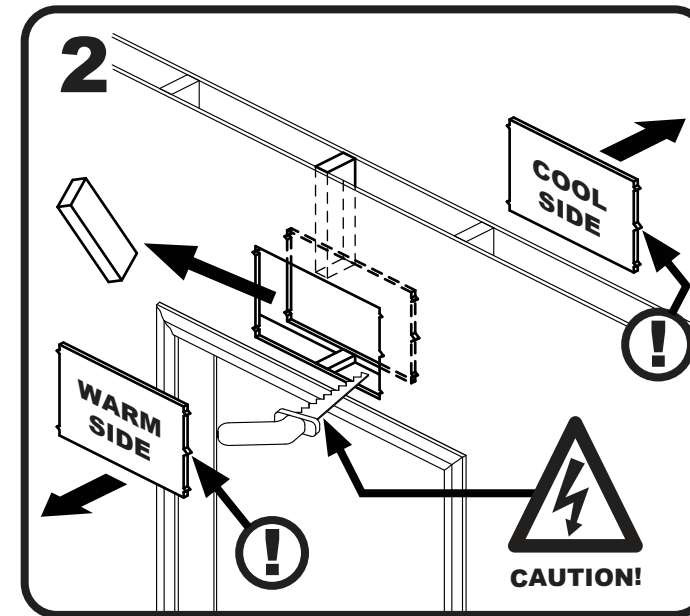
Electronics must be protected against sudden power surges. Use a quality surge protector.

SPECIAL NOTE:

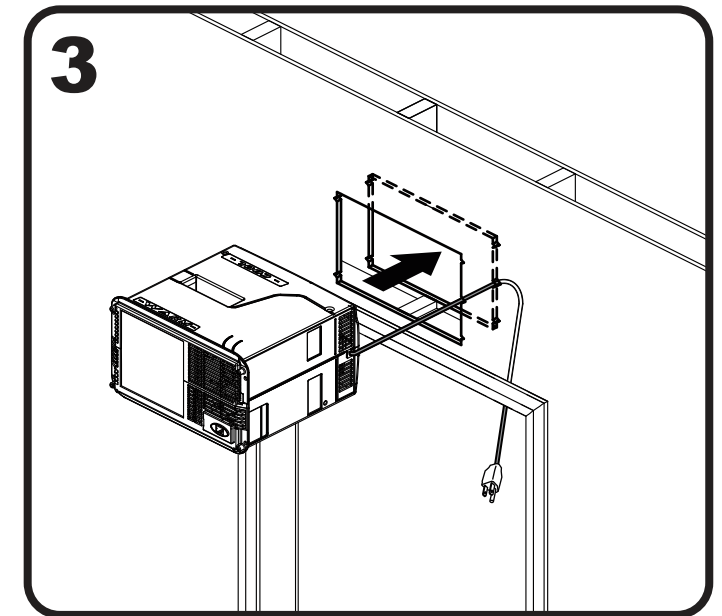
This unit is constructed for installation in walls up to 6 1/2" inches thick. If you install it in a thicker wall you will have to cut out an area around the air vents on the cool side in order to keep cool airflow unobstructed. Order longer screws at www.koolr.com.



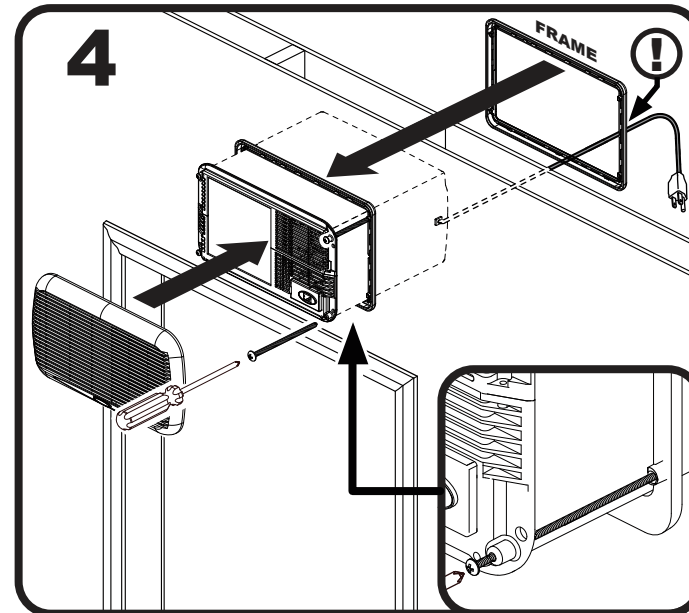
- Center pattern to door frame.
- Trace pattern.
- Flip pattern and repeat for cool side.



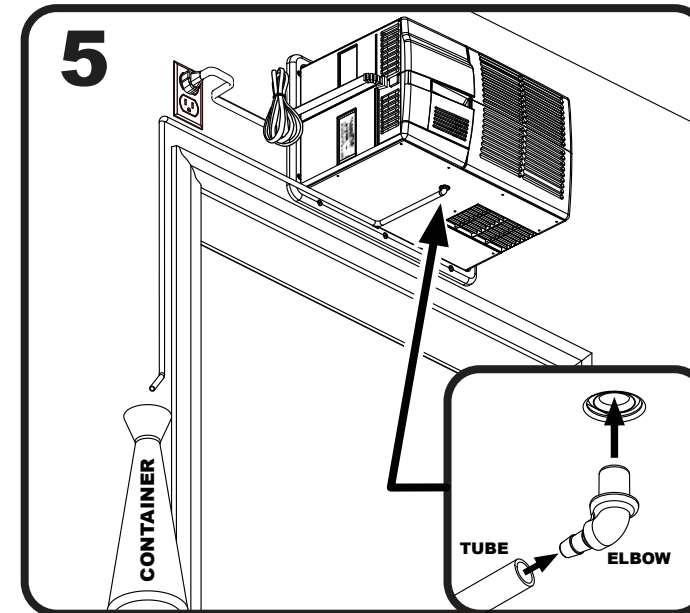
- **Watch for live wires!** ⚠️
- Cut out drywall, warm and cool side.
- Cut out Stud level to drywall cutout.



- Get help to insert cooling unit through hole.
- Guide cord, do not damage drywall!

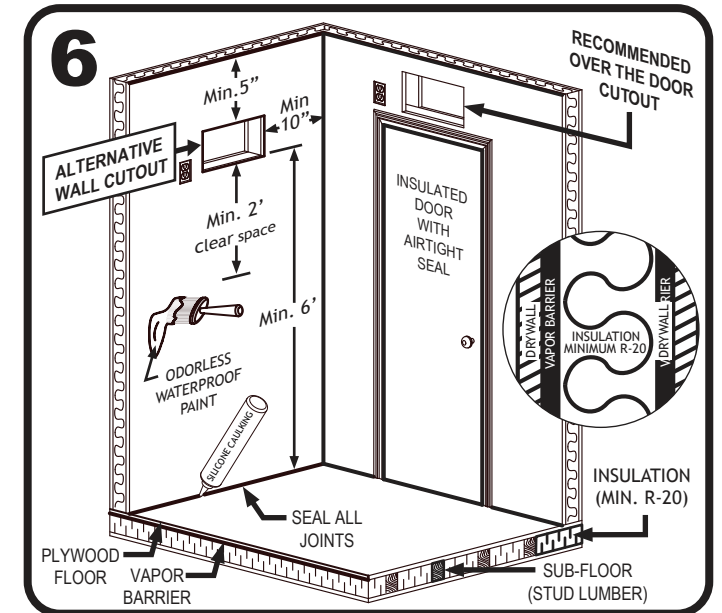


- Slide over frame on cool side, guide cord through frame side notch.
- Screw in cooling unit to frame.
- Place grill on unit.



WATER DRAIN

- Add tube to elbow.
- Insert elbow to cooling unit.
- **NOTE:** Excess condensation is caused by extreme conditions. This is not required if your room is properly insulated.



ALTERNATE WALL CUTOUT

- Level pattern, trace both warm and cool side.
- Cut out drywall.
- Screw in cooling unit to frame.

MARK SLITS

WARM SIDE

CENTER

PREPARING FOR INSTALLATION

INSULATION : Floor, ceiling and all walls of the enclosure must be insulated to minimum R-20 rating, although R-30 is recommended. Best material is foil-backed urethane foam, sealed at all joints with thermal tape. Build a proper sub-floor with a vapor barrier, and insulate to at least R-20, especially if floor is concrete. Use an insulated door.

VAPOR BARRIER : All surfaces of the enclosure must be protected by a proper vapor barrier, ideally on both inside and outside of wine/pantry room.

SEAL : Seal corners, joints, gaps, vents, electrical outlets and switches, and especially around door and frame. Pack larger gaps with insulation. Seal all seams with silicone caulking. Seal drywall with odorless waterproof paint.

POWER SUPPLY : This unit must be installed in accordance with national wiring regulations. Do not use if power cord is damaged; it must be replaced by the manufacturer or its service agent or by a qualified person to avoid a hazard. Plug must remain accessible after installation. Electrical service must be a dedicated, separately fused and grounded 15 Amp, 115V line (Europe; 10-Amp 220 Volt). Test line voltage before operating, and do not use if line voltage is less than 105V. The unit must be protected against power surges and spikes. Use a good quality surge suppressor.

CONTROLS : PLUG IT IN (WAIT ONE MINUTE) AND ENJOY!

- OPERATION:**
- Display will show detected temperature until temperature falls within 3° of SET POINT.
 - If temperature is above default 57° F + 1° or other preset value, after a delay of 1 minute fan will start, followed by compressor in next minute.
 - Unit will cycle ON/OFF based on temperature reading. Fan speeds are automatically set by controller to achieve optimum performance.
 - Minimum ON and OFF cycle times are imposed by software, to prevent "short cycling".

DISPLAY: KEYS



CONTROLLER OPERATION	ACTION	DISPLAY EXAMPLE	
		BEFORE	AFTER
TO DISPLAY:	Actual temperature: PRESS ▲	57°	56°
	SET temperature: PRESS ▼	70°	57°
TO MODIFY SET TEMPERATURE (range is 52-64°F):	PRESS and RELEASE ▼	57°	57°
	To increase: PRESS ▲ once per degree	57°	58°
	To decrease: PRESS ▼ once per degree	57°	56°
	The new value will be memorized and the controller will reset automatically.		
TO CHANGE FROM °F to °C or °C to °F	PRESS and HOLD ▼ until buzzer sounds in 5 seconds	57°	14°
	The new value will be memorized and the controller will reset automatically.		
TO CALIBRATE:	PRESS and HOLD ▼ while holding PRESS ▲ and RELEASE BOTH QUICKLY	57°	57°
	Wait 5 seconds	57°	F0
	USE ▲ for each degree of positive offset	F0	F1
	USE ▼ for each degree of negative offset	F0	-1

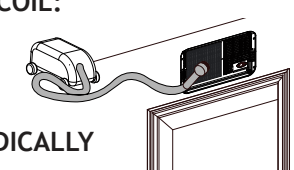
NOTE: A negative offset ▼ will result in a warmer cabinet and a positive offset ▲ will result in a cooler cabinet. The new value will be memorized and the controller will reset automatically.

ALARM:

- If the temperature exceeds 72° F the unit will shut down, a warning sound will start and the display will blink **AL** alternating with the temperature reading.
- This function is disabled in the first 4 hours "Cool Down" period or after any reset for another 4 hours.
- The unit will restart and continue the cooling and cycling if the temperature falls below 72° F.

TO RESET: Unplug and re plug the unit.

TROUBLESHOOTING GUIDE

CONDITION	CHECK	SOLUTIONS
COOLING UNIT DOES NOT RUN WHEN PLUGGED IN	Shipping damage?	Contact courier company for shipping damages.
	Unit plugged in?	Unit has a 1-min. cautionary delay between plugging in and full start-up; this is a built-in safeguard to protect compressor in case of a sudden power failure.
	LED display ON?	Unplug unit, remove controller, check/replace fuse (0.5A slow blow, 250V, 5X20mm). see manuals at www.koolr.com
COOLING UNIT RUNS BUT DOES NOT COOL SUFFICIENTLY	Storage temperature properly set?	Unit may take a few days to achieve the desired storage temperature. Decrease your set temperature to cool.
	Room properly constructed with all joints airtight?	Seal all cracks and joints. Check insulation requirements.
	Door insulated properly?	If gaps are visible, then seal door so it is airtight.
	Airflow to and from the cooling unit unobstructed?	Improve circulation of air to and from the unit as directed in instructions.
	Ambient air temperature within the specified range?	Make sure ambient temperature is below 80°
CLEANING THE COIL:		Clean the unit regularly, every 3 to 4 months vacuum the cooling unit coils.
VACUUM PERIODICALLY		

Additional Trouble-Shooting information and downloadable documents are available in the "Support" area of our web site: www.koolr.com

WARNING: If unit is in "Alarm", unplug the unit immediately. See controls table.

IMPORTANT NOTE:

- Have your wine collection adequately insured.
- Install a battery-powered heat-sensitive alarm to warn of any loss of cooling due to power interruption.
- Monitor your storage and ambient conditions on a regular daily basis.

Be advised KoolR Products Inc. cannot in any event be liable or responsible for incidental or consequential damages.

ONE YEAR LIMITED WARRANTY

If your KoolR cooling unit or cabinet fails to perform as designed within one year of the date of purchase, KoolR Products Inc. warrants that, upon your request, it will be replaced, during the one year warranty period. This warranty applies only to the first end-user purchaser of a KoolR cooling unit that is purchased and used in the continental United States or Canada (excludes Alaska and Hawaii). It is not valid for subsequent purchasers, nor for units in use outside North America. The warranty period for your KoolR cooling unit commences on the date you purchased it and expires one year thereafter.

PROOF OF PURCHASE

Within 10 days of purchase, complete and mail, fax or e-mail the registration sheet to KoolR Products Inc. Alternately, you may register your warranty on our Internet website, www.koolr.com. When you make a warranty claim, you must forward a copy of your original dated bill of sale to establish your date of purchase.

WHAT THE WARRANTY DOES NOT COVER

This warranty covers only defects in materials and workmanship provided by KoolR Products Inc. and does not cover equipment damage or malfunction from misuse, abuse, accident, act of God, or any unauthorized alteration or modification. The product must have been installed and operated precisely as directed in the manual which accompanies each product. Return shipping charges are not covered. Improper return shipping, inadequate packaging or shipping damage is not covered unless the unit is packaged and shipped in accordance with KoolR Products Inc. replacement procedures. Third party servicing of this product during the warranty period will also void the warranty, as will any evidence of tampering or alteration to the serial number and/or the original dated bill of sale. **GO ONLINE FOR MORE WARRANTY INFORMATION AT www.koolr.com.**

COOL SIDE

CENTER

MARK SLITS

