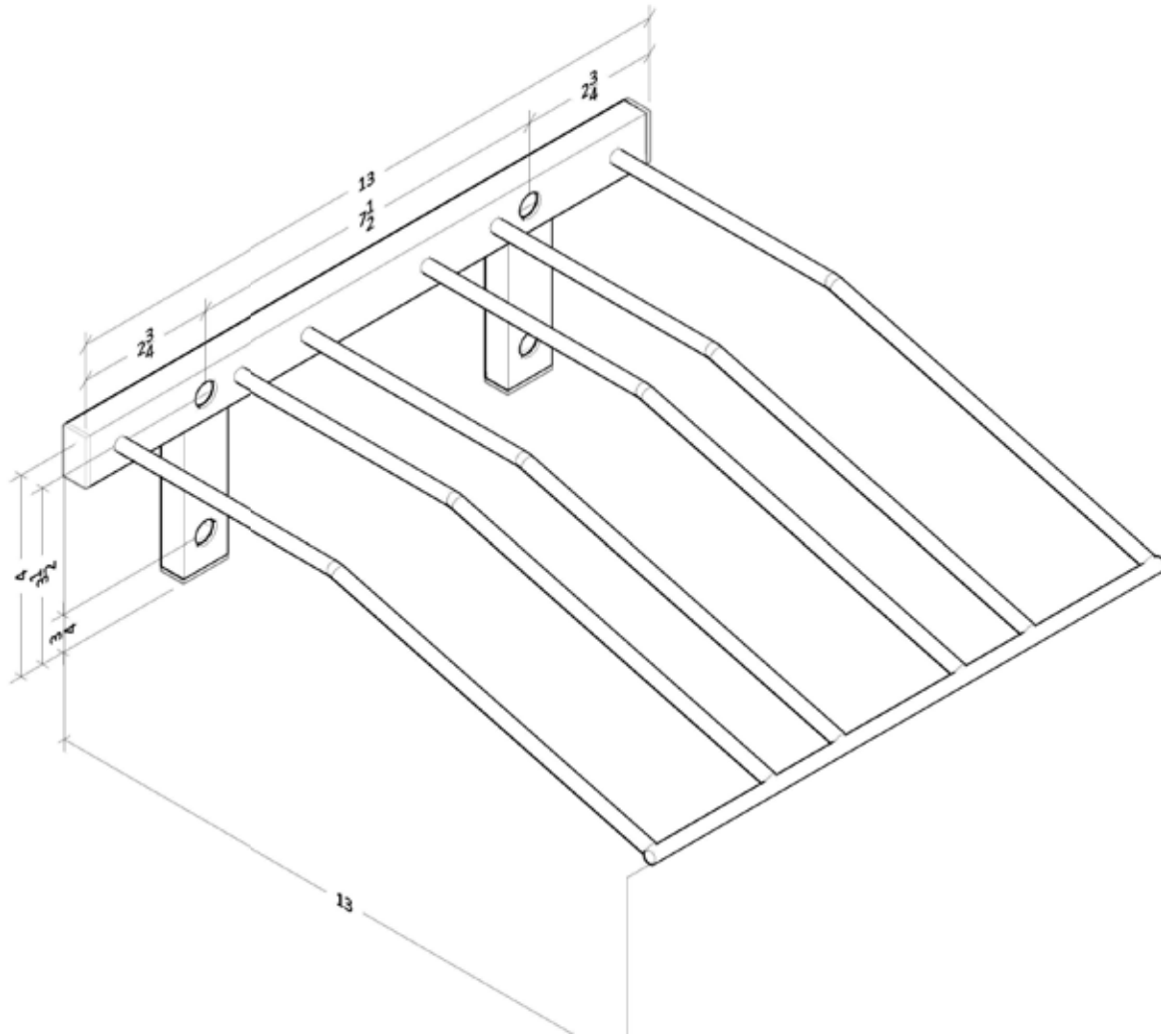


W Series Presentation Row 3

Spec sheet for WS-PR1C, 3-bottle wine rack



The Presentation Row 3 holds 3 standard 750 ml wine bottles.



VINTAGEVIEW®
MOVING WINE STORAGE FORWARD

4690 Joliet St., Denver, CO 80239 | phone: 866.650.1500 | fax: 866.650.1501 | VintageView.com

For product warranty information, please visit vintageview.com/warranty