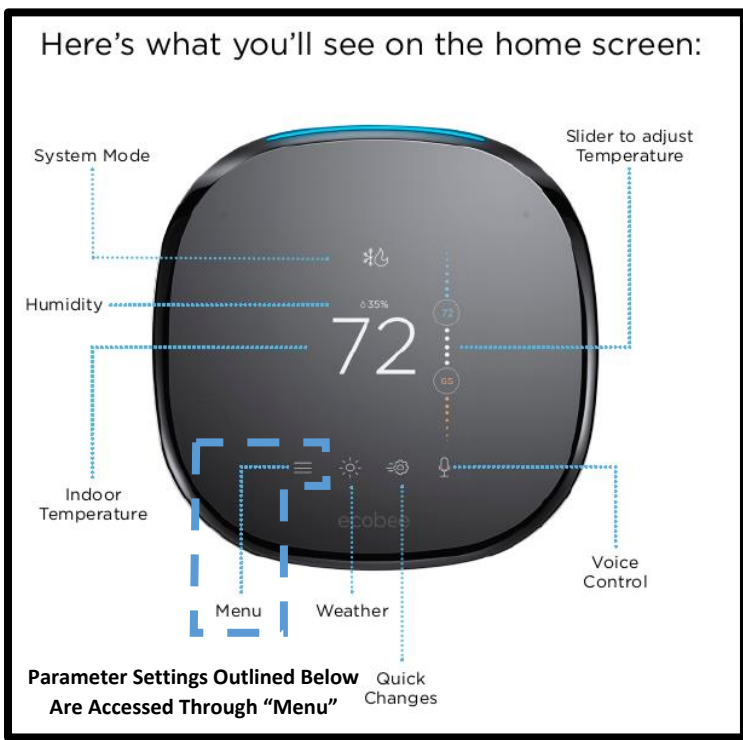
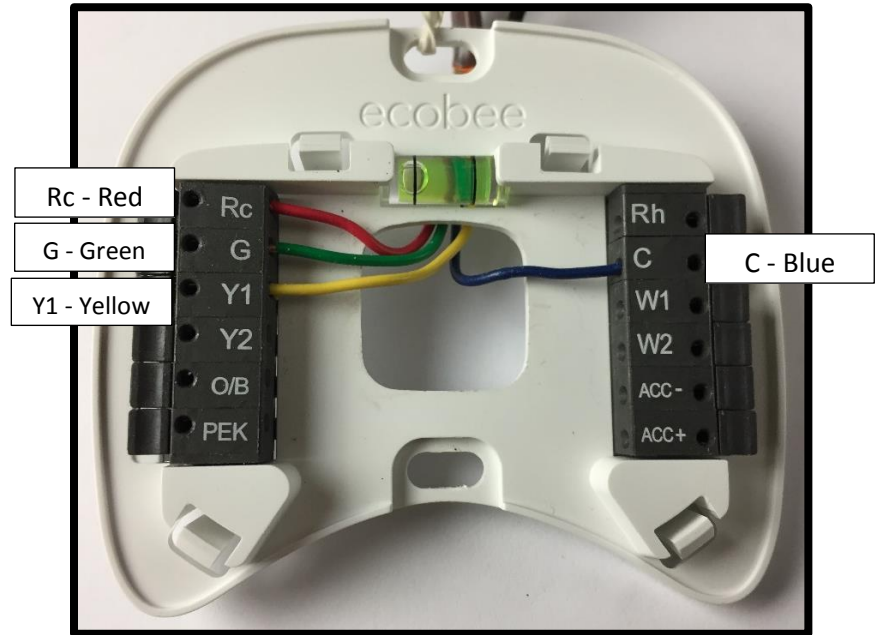


Ecobee4 Networkable Thermostat Settings

Recommended Parameter Settings for CellarPro Wine Cooling Units

TERMINAL CONNECTIONS



Ecobee4 Networkable Thermostat Settings

PARAMETER SETTINGS

- **Main Menu > System**
 - HVAC: Set to “Cool”
 - Fan: Set to “Auto: at least 0 min/hr”

- **Main Menu > Sensors**
 - Smart Home/Away: Set to “Disabled”
 - Follow Me: Set to “Disabled”
 - If **NOT** using the remote room sensor:
 - My ecobee: This is the main thermostat, and must be located in the cellar. Access the “My ecobee” menu and check the Home, Away, and Sleep boxes.
 - Lil’bee: This is the remote room sensor which is not being activated. Access the “Lil’bee” menu and make sure the Home, Away, and Sleep boxes are all UNCHECKED.
 - If using the remote room sensor:
 - Activate the sensor following the activation instructions provided with the Ecobee4 controller.
 - My ecobee: This is the main thermostat, and can be located in any convenient location. Access the “My ecobee” menu and UNCHECK the Home, Away, and Sleep boxes.
 - Lil’bee: This is the remote room sensor which must be located in the cellar. Access the “Lil’bee” menu and make sure the Home, Away, and Sleep boxes are all CHECKED. The remote room sensor is now providing the temperature input that is displayed on the main controller. This controller will not measure humidity. If it is desired to have a cellar humidity reading, the main thermostat must also be located in the cellar.

- **Main Menu > Reminders & Alerts > Preferences**
 - HVAC Maintenance: Set to “Next: OFF”
 - Air Handler >
 - This reminder can be used if desired as a reminder to clean the cooling unit condenser coil or condenser filter if one is present on your cooling unit.
 - Reminder: Set to “Enabled”
 - Frequency: Set to “3 months”
 - UV Lamp: Set to “Off”
 - Low Temp Alert: Set to “45°F”. If unit is configured with the White Wine Modification, set to “40°F”
 - High Temp Alert: Set to “70°F”
 - Low Humidity Alert: Set to “Disabled”
 - High Humidity Alert: Set to “Disabled”
 - Display Alerts on Thermostat: Set to “Enabled”
 - Enable Heating/Cooling Alerts: Set to “Enabled”

Ecobee4 Networkable Thermostat Settings

- **Main Menu > Settings Preferences & Defaults > Settings**
 - Preferences >
 - Temperature Display: Set to “°F”
 - Cooling Range: Set to “47°F to 62°F”. If unit is configured with the White Wine Modification, set to “43°F to 62°F”
 - Hold Action: Set to “Until you change it”
 - Cooling Smart Recovery: Set to “Disabled”

- **Main Menu > Settings Preferences & Defaults > Installation Settings > Thresholds**
 - Compressor Min Cycle Off Time: Set to “300 sec”
 - Compressor Min Outdoor Temperature: Set to “Disabled”
 - AC Overcool Max: Set to “Disabled”
 - Heat Differential Temperature: Set to “3.0°F”
 - Heat Dissipation Time: Set to “0 sec”
 - Cool Differential Temperature: Set to “3.0°F”
 - Cool Dissipation Time: Set to “180 sec”. This is similar to the CellarPro FON feature, and allows the fans to continue to run at the end of the refrigeration cycle to maintain a humidity balance in the cellar. The recommended setting range is Min: 60 sec / Max: 300 sec.
 - Compressor Min On Time: Set to “1 min”
 - Thermal Protect: Set to “Disabled”
 - Installer Code: Set to “Disabled”

