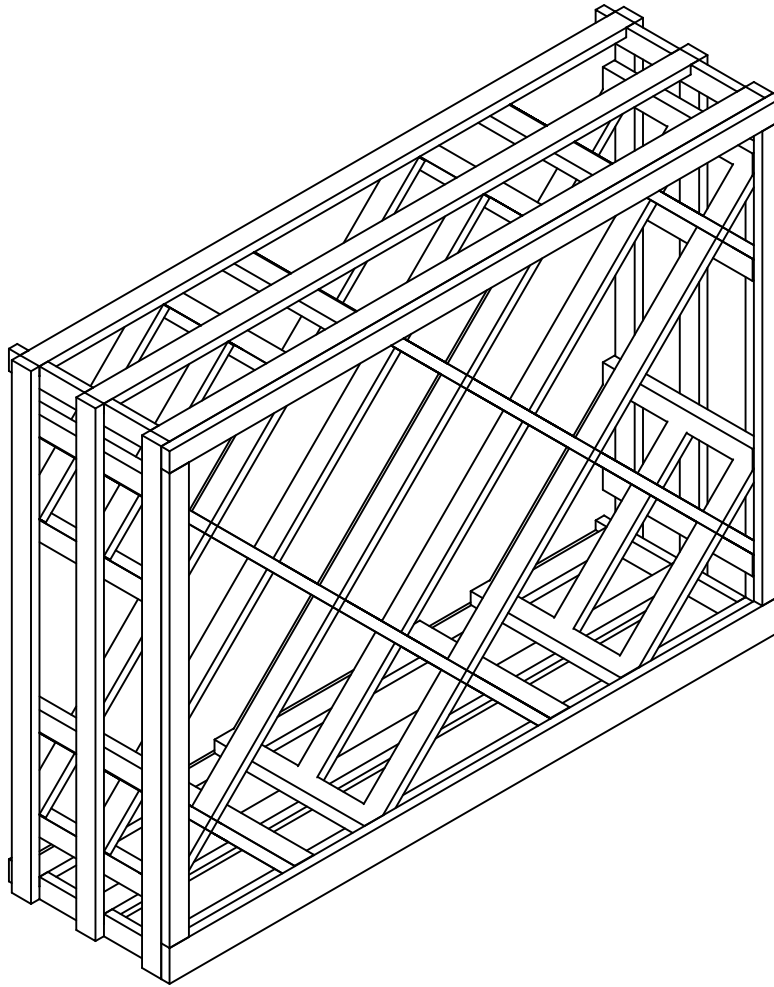


Designer Series

New 4/25/2017

Open Diamond Bin below Archway

D-XX-XX-ODIAMAR



Thank you for your purchase from Wine Cellar Innovations. In the manufacturing and packaging of your products numerous people have reviewed your order for accuracy and attention to detail. We believe this focus is what has made us the worldwide leader in wine storage products.

When assembling the products, please refer to the instructions provided and follow them closely. Always pre-drill pieces any time a screw will be used as a fastener. The cellar has been engineered with the weight of the bottles factored into the layout, and will be capable of sustaining loads far greater than this when assembled correctly.

If you happen to break a piece during installation we will replace it for free. In such a situation, feel free to contact us Monday through Friday between 8am and 5pm Eastern time.

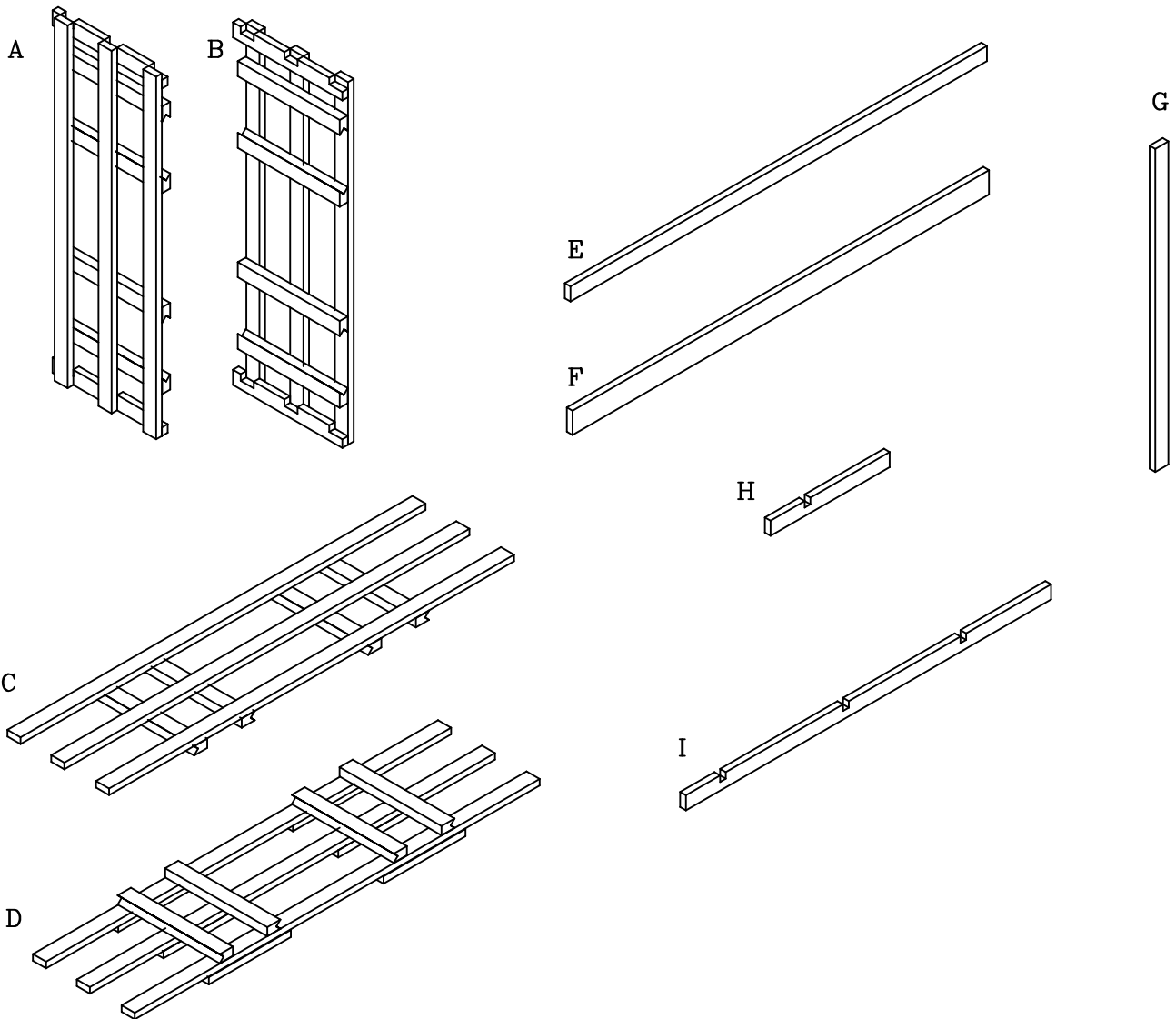
Wine Cellar Innovations
4575 Eastern Avenue
Cincinnati, Ohio 45226

Phone: (800) 229-9813
Fax: (513) 979-5280
www.winecellarinnovations.com

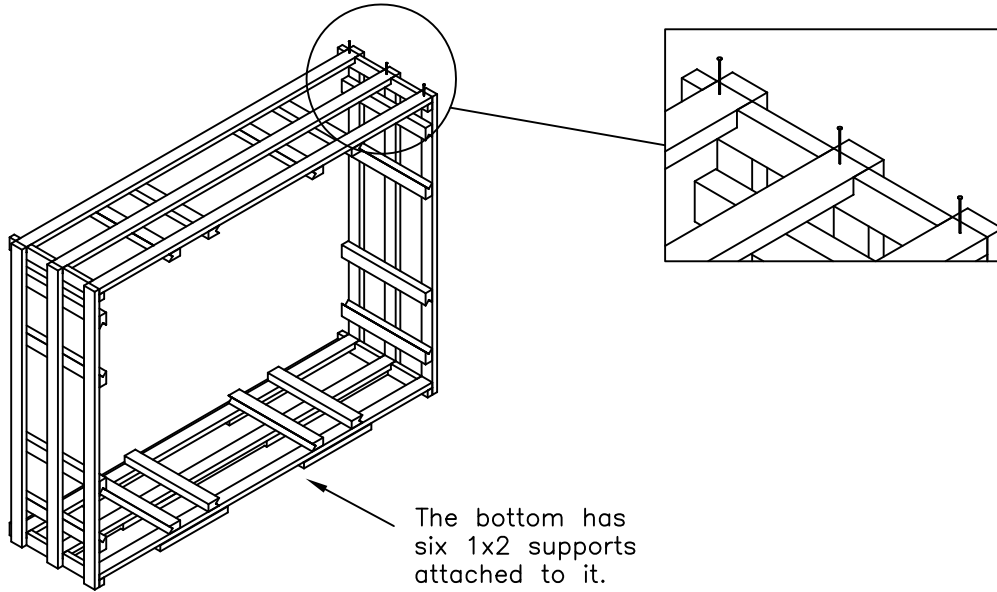
Open Diamond Bin below Archway

Parts List

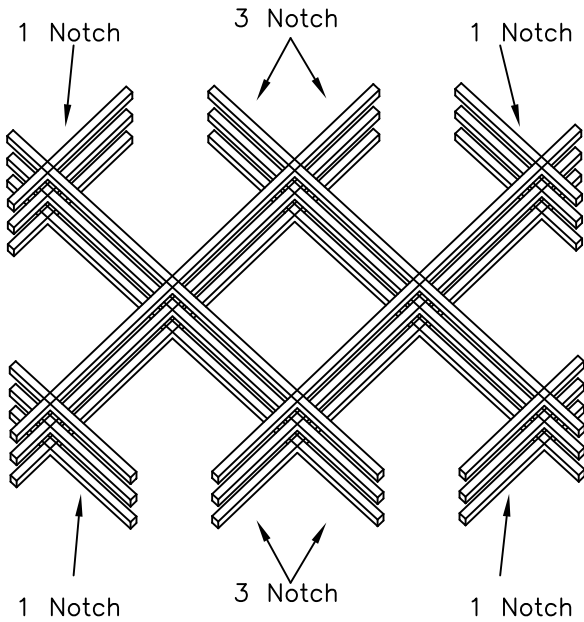
#	qty.	description
A	1	Left Rack
B	1	Right Rack
C	1	Top Rack
D	1	Bottom Rack
E	1	Top Trim
F	1	Bottom Trim
G	2	Side Trims
H	12	1 Notch Interlocks
I	12	3 Notch Interlocks
*	1	bag of nails
*	1	Hardware Pack containing 2 angle brackets 2 plastic anchors 2 1" #8 screws 2 5/8" #6 screws



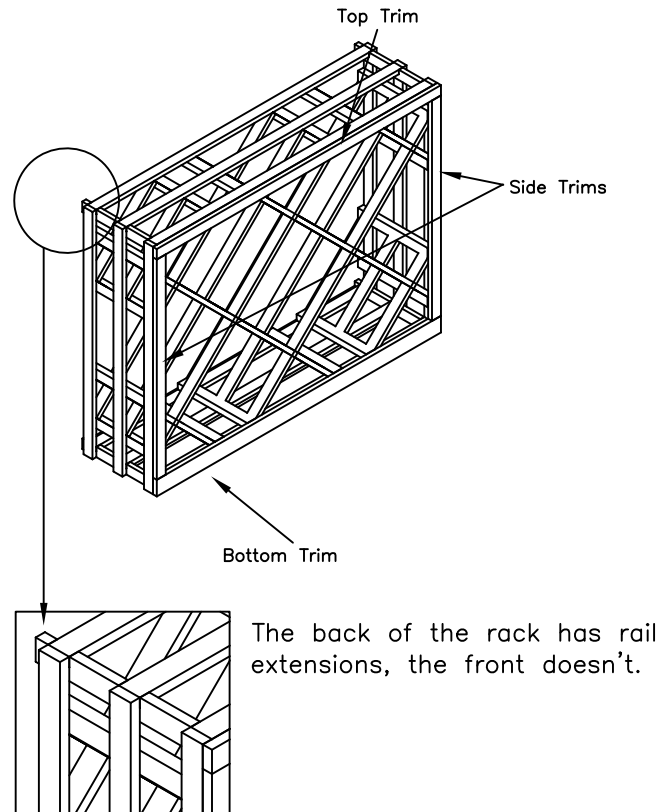
- ① Locate the top and bottom of the rack. The top will be the one without six 1x2 supports attached to the bottom. Make sure the notches in the sides are facing up, nail through the top into each notch of the sides. Repeat for the bottom.



- ② Assemble a grid on the floor as shown being sure to nail through each intersection. Notice all long tails will face towards the top and bottom, the short tails towards the sides. Repeat for the other 2 grids.



- ③ Insert the completed grids into the diamond bin evenly spaced as shown below. Nail top, bottom and side trim to the front of the diamonds bin. Your bottom trim will be double stacked.



6ft DKS Open Diamond Bin Rack is now Complete
always remove bottles before moving racks.