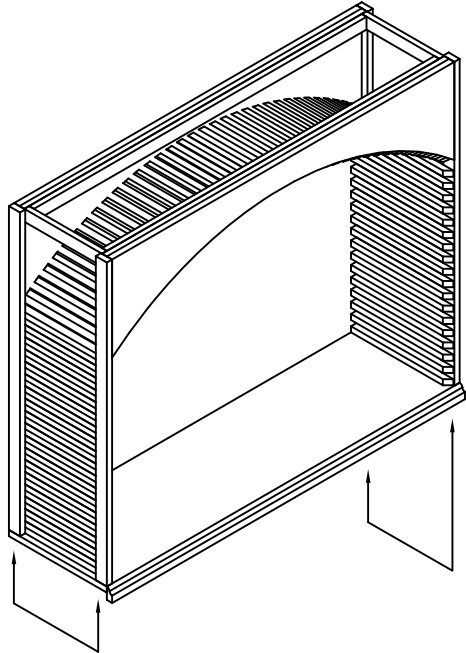


DESIGNER KIT SERIES ASSEMBLY MANUAL FOR OPEN DIAMOND BIN & SOLID DIAMOND BIN TASTING CENTER

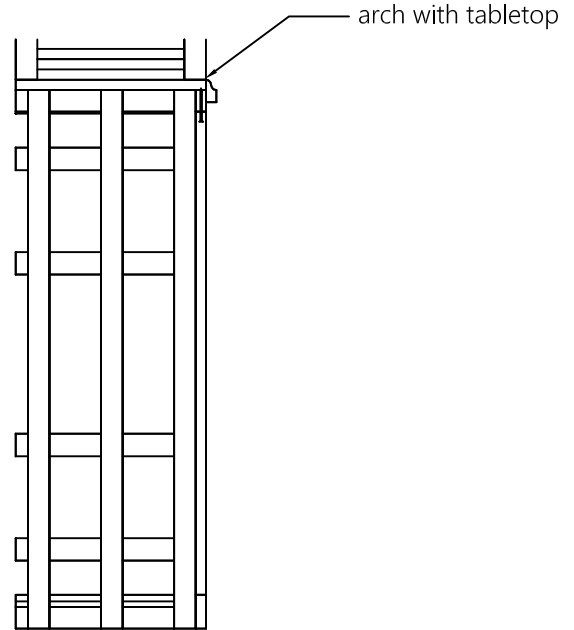
Rev. 12/05/17

D1-ODIAMARTASTE, D1-DIAMARTASTE

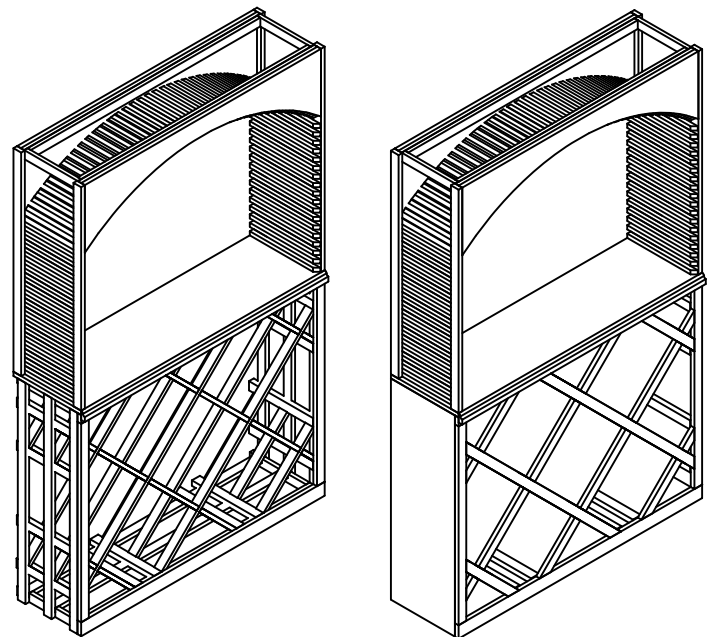
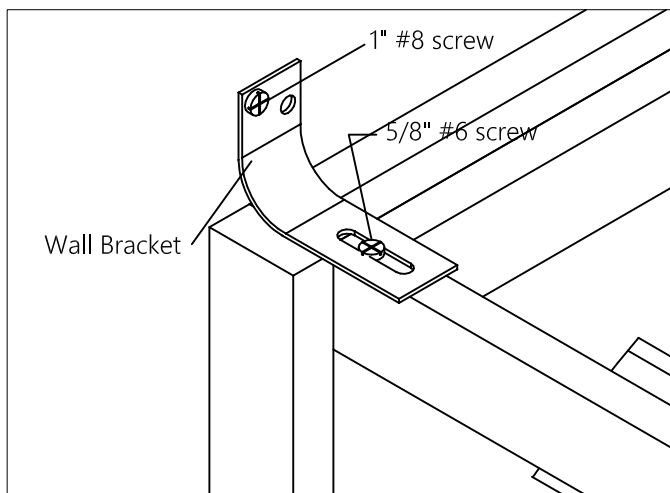
1. Screw up through the tabletop into both sides of arch.



2. Place Arch and Tabletop onto assembled diamond bin. There is an option to nail/screw the table top thru the spacer bar or trim right below it.



3. Secure rack to wall by attaching wall brackets to top back of arch. You will have 1 bracket on the left and 1 on the right.



D1-ODIAMARTASTE

D1-DIAMARTASTE

Wine Cellar Innovations
4575 Eastern Avenue
Cincinnati, Ohio 45226

Phone: (800) 229-9813
Fax: (513) 979-5280
www.winecellarinnovations.com