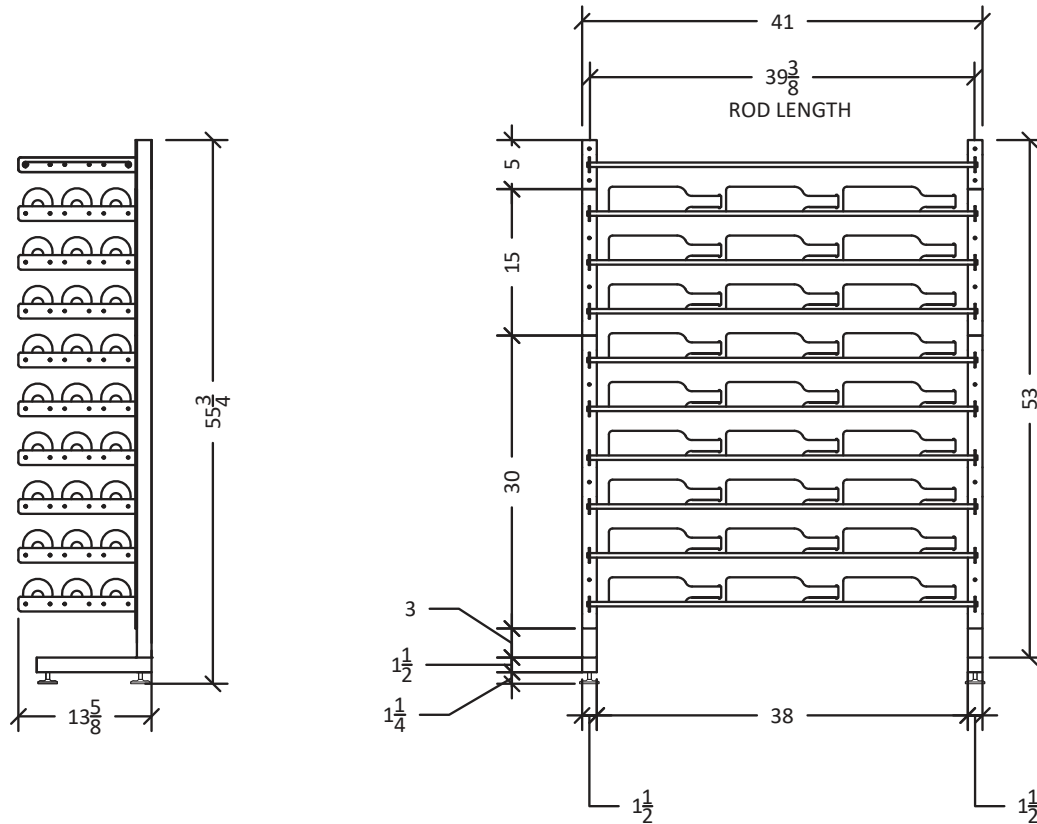
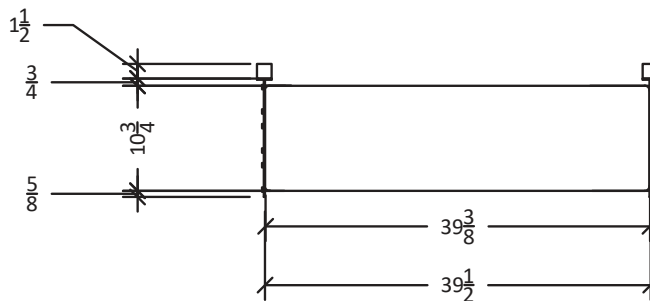


Wine Wall Island Display Rack 4 (half)

Spec Sheet for WW-IDR4 (-SH and -XL models), 90-bottle freestanding wine rack



Shelf reduces bottle capacity by 9 bottles and is only included with -SH models.



VINTAGEVIEW®
MOVING WINE STORAGE FORWARD

4690 Joliet St., Denver, CO 80239 | phone: 866.650.1500 | fax: 866.650.1501 | VintageView.com

For product warranty information, please visit vintageview.com/warranty