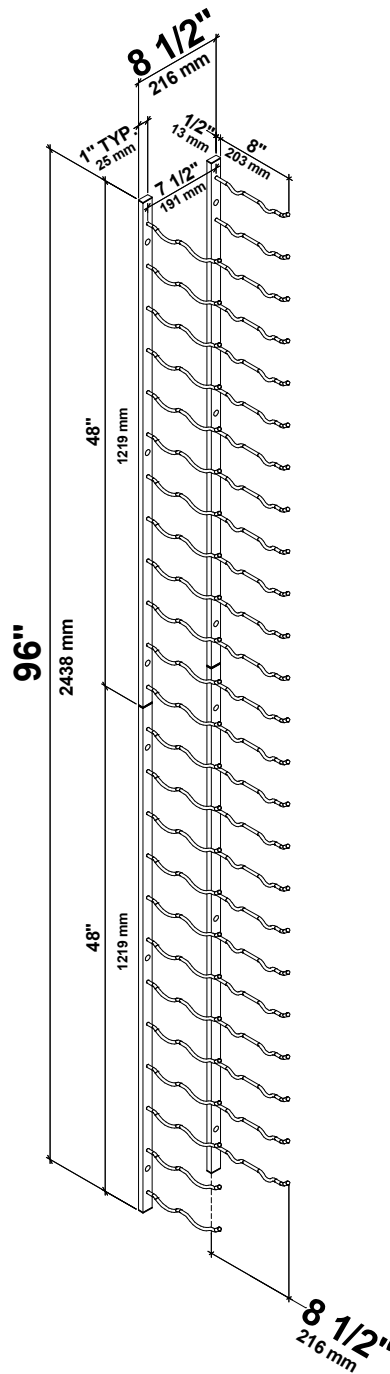


W Series Wine Rack 8

Spec Sheet for WS82 (48-bottle wall mounted wine rack kit)



Allow for 13" (33cm) width with bottles stored.

SCAN FOR BILT. 3D INSTRUCTIONS



POWERED BY BILT INTELLIGENT INSTRUCTIONS®



VINTAGEVIEW®
MOVING WINE STORAGE FORWARD

4690 Joliet St., Denver, CO 80239 | phone: 866.650.1500 | fax: 866.650.1501 | VintageView.com

For product warranty information, please visit vintageview.com/warranty